



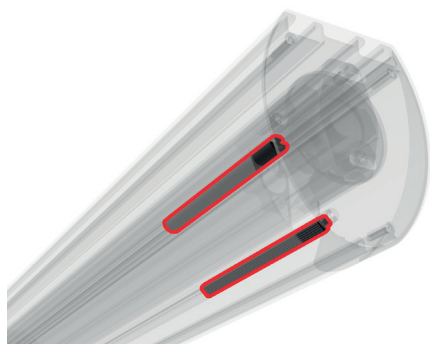
This projection screen model has been developed for the professional channel, where ease of installation, durable materials and simplicity of use are required.

In its tensioned version (Tensio Classic), the Rugby PRO screens are the perfect solution to combine aesthetics, functionality and technical performance.

The Tensio Classic system uses elastic tensioning cables threaded through eyelets, creating a curvature of the projection surface that prevents the formation of folds and puckering and ensures crease-free edges. The black (standard) or white (optional on request) side edges are available in 50 or 70 mm.

See page **66**  
for Technical data





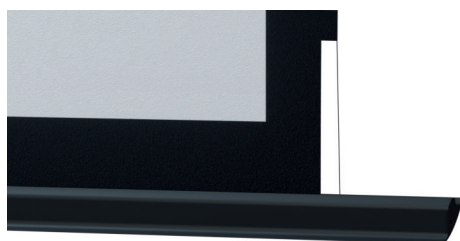
### Softend Lowbar System

Designed using soft gaskets that dampen noise and absorb contacts when closing the lower bar.



### SuperQuick Bracket Attachment System

The screen is supplied with an improved rapid and user-friendly fixing system for both wall and ceiling mounting. The clamping has been designed adopting symmetrical logics to enable both front and back mounting. The bracket kit consists of a single fixing unit (extruded aluminium bracket) and a single clamping unit (PVC moulded block), significantly reducing the number of parts.



Lowbar design detail ▲



(Optional) Screen with mechanical motor and radio receiver installed inside the casing (the receiver is not inside of the motor, like with a standard radio integrated motor).

### Create your own screen with the PSS

- > **Personalized dimensions:** width and height
- > **Motor type:** standard motor or radio integrated motor (optional)
- > **Case:** with quick-installation system
- > **Case color:** standard in White Matte. Optional in Black Matte. Custom color for an extra cost
- > **Standard Drop:** from 5 to 45 cm
- > **Projection surface fall:** back (standard), front or reverse-roll (optional)
- > **Side of command/motor:** right (standard) or left (optional)

### Projection Surfaces (see page 6)

- > Reference White 2 / Reference Grey 2
- > Ambient Grey 2 / Ambient Grey
- > Vision White / Vision White Pro
- > Vision Acoustik
- > Vision Rear DB available only without black borders

### Standard Accessories

- > SuperQuick Bracket Attachment System, quick installation wall or ceiling brackets
- > Softend Lowbar System, rubber shock absorbers between the lower bar and case
- > Unipolar switch
- > Remote control (only for radio integrated version)

### Optional Accessories

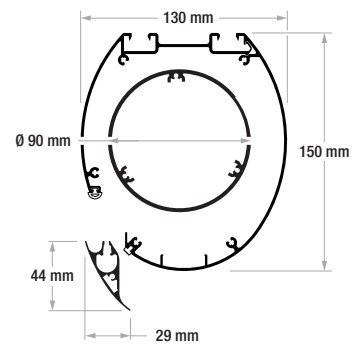
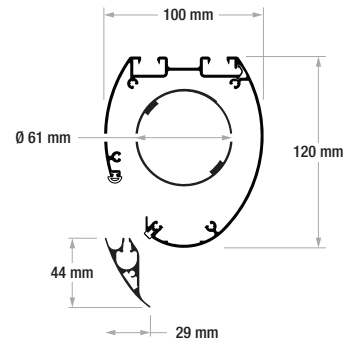
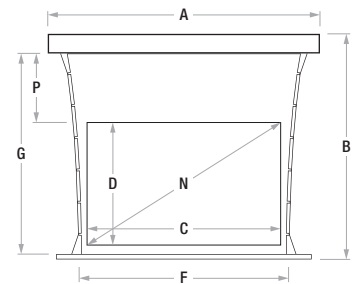
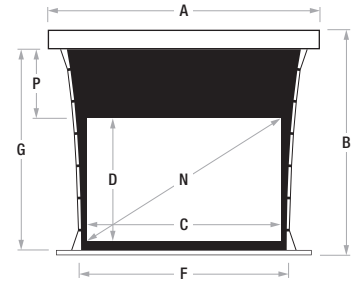
- > Interface to drive the screen in radio frequency with remote control (not included), 12V trigger, unipolar switch, dry contact or RS232
- > Receiver and infrared remote control
- > Extension brackets for screens up to 60 cm
- > Screen lift

### PSS Formats

1:1	1.33:1	1.60:1	1.78:1	2.35:1	2.37:1	2.39:1	2.40:1
	4:3	16:10	16:9	21:9			

Rugby Pro Tensio Classic 50 mm borders / without borders

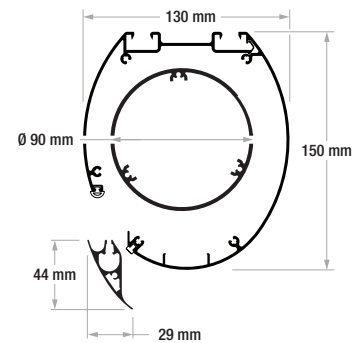
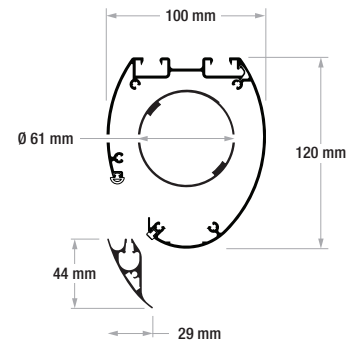
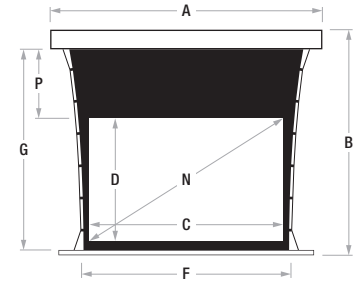
Aspect ratio	Viewing Width	Viewing Height	Diagonal Inches	Overall Width	Overall Height	Surface Width	Surface Height	Standard Drop	Total Maximum Drop	Packaging Dimensions	Net Weight	Gross Weight
	C	D	N	A	B	F	G	P	mm	mm	kg	kg
1,00 (1:1)	1620	1620	90	2070	1884	1720	1720	50	50	2250X150X180	15	17
	2120	2120	118	2570	2464	2220	2270	100	100	2750X210X200	20	22
	2620	2620	146	3070	2964	2720	2770	100	100	3250X210X200	26	28
1,33 (4:3)	1620	1218	80	2070	1482	1720	1318	50	450	2250X210X180	15	17
	2120	1594	104	2570	1858	2220	1694	50	450	2750X210X180	20	22
	2620	1970	129	3070	2314	2720	2120	100	450	3250X210X200	26	28
	3120	2346	154	3570	2690	3220	2496	100	450	3750X210X200	32	34
	3620	2722	178	4070	3066	3720	2872	100	450	4250X210X200	38	40
4120	3098	203	4570	3442	4220	3248	100	350	4750X210X200	44	46	
1,78 (16:9)	1620	910	73	2070	1174	1720	1010	50	450	2250X210X180	15	17
	2120	1191	96	2570	1455	2220	1291	50	450	2750X210X180	20	22
	2620	1472	118	3070	1816	2720	1622	100	450	3250X210X200	26	28
	3120	1753	141	3570	2097	3220	1903	100	450	3750X210X200	32	34
	3620	2034	163	4070	2378	3720	2184	100	450	4250X210X200	38	40
4120	2315	186	4570	2659	4220	2465	100	450	4750X210X200	44	46	
1,6 (16:10)	1620	1013	75	2070	1277	1720	1113	50	450	2250X210X180	15	17
	2120	1325	98	2570	1589	2220	1425	50	450	2750X210X180	20	22
	2620	1638	122	3070	1982	2720	1788	100	450	3250X210X200	26	28
	3120	1950	145	3570	2294	3220	2100	100	450	3750X210X200	32	34
	3620	2263	168	4070	2607	3720	2413	100	450	4250X210X200	38	40
4120	2575	191	4570	2919	4220	2725	100	450	4750X210X200	44	46	
2,35 (21:9)	1620	689	69	2070	953	1720	789	50	450	2250X210X180	15	17
	2120	902	91	2570	1166	2220	1002	50	450	2750X210X180	20	22
	2620	1115	112	3070	1459	2720	1265	100	450	3250X210X200	26	28
	3120	1328	133	3570	1672	3220	1478	100	450	3750X210X200	32	34
	3620	1540	155	4070	1884	3720	1690	100	450	4250X210X200	38	40
4120	1753	176	4570	2097	4220	1903	100	450	4750X210X200	44	46	
2,37	1620	684	69	2070	948	1720	784	50	450	2250X210X180	15	17
	2120	895	91	2570	1159	2220	995	50	450	2750X210X180	20	22
	2620	1105	112	3070	1449	2720	1255	100	450	3250X210X200	26	28
	3120	1316	133	3570	1660	3220	1466	100	450	3750X210X200	32	34
	3620	1527	155	4070	1871	3720	1677	100	450	4250X210X200	38	40
4120	1738	176	4570	2082	4220	1888	100	450	4750X210X200	44	46	
2,40	1620	675	69	2070	939	1720	775	50	450	2250X210X180	15	17
	2120	883	90	2570	1147	2220	983	50	450	2750X210X180	20	22
	2620	1092	112	3070	1436	2720	1242	100	450	3250X210X200	26	28
	3120	1300	133	3570	1644	3220	1450	100	450	3750X210X200	32	34
	3620	1508	154	4070	1852	3720	1658	100	450	4250X210X200	38	40
4120	1717	176	4570	2061	4220	1867	100	450	4750X210X200	44	46	



In certain circumstances, due to the surface's height, it is necessary to use a case with the rolling tube of 90 mm.

## Rugby Pro Tensio Classic 70 mm borders

Aspect Ratio	Viewing Width	Viewing Height	Diagonal Inches	Overall Width	Overall Height	Surface Width	Surface Height	Standard Drop	Total Maximum Drop	Packaging Dimensions	Net Weight	Gross Weight
	C	D	N	A	B	F	G	P	mm	mm	kg	kg
1,00 (1:1)	1580	1580	88	2070	1884	1680	1720	70	70	2250X150X180	15	17
	2080	2080	116	2570	2444	2180	2250	100	100	2750X210X200	20	22
	2580	2580	144	3070	2944	2680	2750	100	100	3250X210X200	26	28
1,33 (4:3)	1580	1188	78	2070	1492	1680	1328	70	450	2250X150X180	15	17
	2080	1564	102	2570	1868	2180	1704	70	450	2750X210X200	20	22
	2580	1940	127	3070	2304	2680	2110	100	450	3250X210X200	26	28
	3080	2316	152	3570	2680	3180	2486	100	450	3750X210X200	32	34
	3580	2692	176	4070	3056	3680	2862	100	450	4250X210X200	38	40
4080	3068	201	4570	3432	4180	3238	100	350	4750X210X200	44	46	
1,78 (16:9)	1580	888	71	2070	1192	1680	1028	70	450	2250X150X180	15	17
	2080	1169	94	2570	1473	2180	1309	70	450	2750X150X180	20	22
	2580	1449	117	3070	1813	2680	1619	100	450	3250X210X200	26	28
	3080	1730	139	3570	2094	3180	1900	100	450	3750X210X200	32	34
	3580	2011	162	4070	3026	3680	2872	100	450	4250X210X200	38	40
4080	2292	184	4570	3402	4180	3248	100	450	4750X210X200	44	46	
1,6 (16:10)	1580	988	73	2070	1292	1680	1128	70	450	2250X150X180	15	17
	2080	1300	97	2570	1604	2180	1440	70	450	2750X150X180	20	22
	2580	1613	120	3070	1977	2680	1783	100	450	3250X210X200	26	28
	3080	1925	143	3570	2289	3180	2095	100	450	3750X210X200	32	34
	3580	2238	166	4070	3026	3680	2872	100	450	4250X210X200	38	40
4080	2550	189	4570	3402	4180	3248	100	450	4750X210X200	44	46	
2,35 (21:9)	1580	672	68	2070	976	1680	812	70	450	2250X150X180	15	17
	2080	885	89	2570	1189	2180	1025	70	450	2750X150X180	20	22
	2580	1098	110	3070	1462	2680	1268	100	450	3250X210X200	26	28
	3080	1311	132	3570	1675	3180	1481	100	450	3750X210X200	32	34
	3580	1523	153	4070	3026	3680	2872	100	450	4250X210X200	38	40
4080	1736	175	4570	3402	4180	3248	100	450	4750X210X200	44	46	
2,37	1580	667	68	2070	971	1680	807	70	450	2250X150X180	15	17
	2080	878	89	2570	1182	2180	1018	70	450	2750X150X180	20	22
	2580	1089	110	3070	1453	2680	1259	100	450	3250X210X200	26	28
	3080	1300	132	3570	1664	3180	1470	100	450	3750X210X200	32	34
	3580	1511	153	4070	3026	3680	2872	100	450	4250X210X200	38	40
4080	1722	174	4570	3402	4180	3248	100	450	4750X210X200	44	46	
2,40	1580	658	67	2070	962	1680	798	70	450	2250X150X180	15	17
	2080	867	89	2570	1171	2180	1007	70	450	2750X150X180	20	22
	2580	1075	110	3070	1439	2680	1245	100	450	3250X210X200	26	28
	3080	1283	131	3570	1647	3180	1453	100	450	3750X210X200	32	34
	3580	1492	153	4070	3026	3680	2872	100	450	4250X210X200	38	40
4080	1700	174	4570	3402	4180	3248	100	450	4750X210X200	44	46	



In certain circumstances, due to the surface's height, it is necessary to use a case with the rolling tube of 90 mm.



Surface Fireproof Certifications