



## Model RUGBY-PRO Code PRONRUGBY-PRO-XXXXX

Rolling screen installation and operation manual  
Manuale d'installazione e d'uso schermo avvolgibile  
Manuel d'installation et d'utilisation de l'écran de projection  
Bedienungs- und Installationsanleitung: Motorleinwand  
Manual de instalación y uso de la pantalla enrollable  
Instrukcja montażu i obsługi ekranu rozwijanego

# ENGLISH – Rolling screen installation and operation manual

## 01 INTRODUCTION



This manual is an integral part of the product and must be read and understood in all its parts for safety reasons. It contains norms and directions for correct and safe use of the screen. The manual should never be separated from the product; it must be stored in a suitable place to ensure its integrity, and in such a way as to be easily consulted by authorised personnel. Product user shall be responsible for the manual's safekeeping. User shall also be responsible for checking the screen's functionality and for the repair or replacement of any damaged parts that could pose a hazard.

Images contained in this manual are intended to provide a detailed description of the product's functions, characteristics and procedures. Any slight difference, depending on the model represented, will not change the meaning that the images convey.

## 02 GENERAL SAFETY NORMS



**CAUTION:** Important safety instructions. Follow the instructions as improper installation can cause serious injury. Always read the instructions and warnings set out in this manual very carefully before using the product or before performing any maintenance interventions.

- Installation of the screen above passageway is strictly forbidden. Before and during use, check that the screen poses no risk of hazard.
- Do not tamper with, remove or damage any part or component of the screen.
- Never carry out maintenance work on the screen with the motor on and always disconnect the power first.
- Always disconnect the power when cleaning, carrying out maintenance or replacing parts.
- Not children safe. It is mandatory to keep children away during operations with the screen.



All our screens are covered by guarantee; validity of the same shall be subject to user's full compliance with the instructions contained in this manual.

**WARNING:** Faulty installation may compromise the safety of the product's operators; manufacturer shall not be held liable for damages to persons or things resulting from faulty installation, improper use, insufficient or inadequate maintenance of the screen.

Manufacturer shall not be held responsible for problems associated with installation errors.

Screen installation, electrical connections and verifications in case of malfunction of motorised rolling screens must be performed by authorised vendor or by personnel that is informed and trained in electrical hazards. The connection cable cannot be replaced. If the cable is damaged the screen must be replaced. Tampering with end stops or piercing the seal placed over holes shall entail the forfeiture of the guarantee. For any necessary clarifications please contact our technical office.

**N.B. ONCE THE SCREEN HAS BEEN MOUNTED ON THE BRACKETS, AND PRIOR TO USING IT, USER IS MANDATORILY REQUIRED TO ENSURE THAT THE SCREEN'S POSITION IS PERFECTLY HORIZONTAL.**



## 03 WARNINGS AND RECOMMENDATIONS FOR CORRECT USE AND INSTALLATION

Our screens are suitable for indoor use at normal temperature (20 - 25 °C) and humidity conditions.

It is strongly not recommended to install the video projection screens in front of windows or use them near strong sources of light, near heat sources, such as stoves, fireplaces or flues near air conditioning systems, for both cold or warm air. Failing to comply with these recommendations may cause deformation or permanent stretching of the projection fabric.

Special precautions are required when using the motorised screen outdoors, including:

- 1- Use of appropriate ducts or sheaths suitable for outdoor installation to protect the motor power cable(s) from UV radiation.
- 2- Use of cable glands to seal against water and moisture at joints with switch/socket or junction boxes.
- 3- Use of switches with a protection level of IP55 or higher (the switch supplied with the product is not suitable for outdoor use).
- 4- Cover and protect the screen from direct contact with water or liquids.

Since electrostatic charge tends to accumulate on the projection screen (which is made of PVC), attracting dust, excessive dustiness in the projection environment can deteriorate the optical quality of the screen (see projection screen cleaning instructions).

To avoid yellowing, screens must not be exposed to sunlight. Screens must never be mounted near sources of heat or exposed to sunlight, as this could damage projection surface.

When using a motorized roller projector screen, the fabric must be fully extended before use and fully retracted after use. Please try to allow a reasonable amount of time between extending and retracting the screen, as multiple, consecutive uses could be harmful to the screen. The screen motor has a built in thermal cut-off to prevent the screen from overheating in such situations, which would normally be between 3 and 6 consecutive uses of extended and retracted. We would strongly recommend you do not put the motor under such stress, as the excess heat in the housing can cause deformation and stretching of the fabric itself. If you do find yourself in a situation where you have used the screen 3 times of extended and retracted continuous or in a short space of time, we recommend that you wait up to 40 minutes for the motor to cool down before using it again.

**WARNING:** Do not manually force the screen's unrolling; this could result in the motor being damaged or the screen's case to come away from the wall mount brackets.

Do not allow children to play with the screen's control panel. Keep remote control out of children's reach.

Monitor screen movement and allow no-one near it until it is completely closed.

The following operations: blocking, preventing or forcing the screen's movement, hanging or swinging from it, adding or applying any object to the screen or backdrop, modifying the screen's structure – are strictly forbidden and could result in damages to the screen's rolling system and ensuing hazard to persons and things.

Absolutely forbidden to install the video projection screens in front of windows.

Absolutely forbidden to install the video projection screens near heat sources, such as stoves, fireplaces or flues near air conditioning systems, for both cold or warm air.

Place the screens perfectly horizontal.



## PRODUCT'S DISPOSAL



As is the case for installation procedures, when the product reaches the end of its useful life, disposal operations must be carried out by qualified personnel. The product is made up of various types of material: some can be recycled, others have to be disposed of. You must follow applicable recycling or disposal regulations in force in your area for this product category.

As shown in the picture on the left, you must not throw the product into a domestic litter bin. Either dispose of the various components separately, pursuant to the regulations applicable in your territory, or hand the product over to a vendor upon purchasing a similar new product.

Warning: local regulations can foresee heavy fines in case of unlawful disposal of this product.

# ENGLISH – Rolling screen installation and operation manual

## 04 GENERAL CHARACTERISTICS OF THE PRODUCT

The screen product is manufactured in compliance with the provisions of the following EC directives: 2014-35-CE LDV Low voltage  
 2014-30-EU EMC Electromagnetic compatibility  
 2014-53-CE Radio Equipment  
 2009-125-CE CONSUMPTION Ecodesign  
 2015-863-EC ROHS Restriction of Hazardous Substances  
 2012-19-CE RAAE Waste management  
 2001-95-CE SAFETY Safe Product

The screen described in this manual must be used exclusively as a support for video projection. Any other use not covered by this manual, it is not consented.  
 The screen contains one or more Fabric/sheet of projection. The Fabric of projection is a cadmium-free plastic pvc sheet or Glass wire (continuous filament) plastified PVC impregnated, any fabric can be classified in category:

- M1 and M2 fire classification under French standards (LNE Laboratoire national de métrologie et d'essais – French Companies CREPIM – Efectis France);
- B1 and B2 fire classification under German standards (Exova Warringtonfire Laboratory of Frankfurt am Main);
- Bs1d0 fire classification under Italian standards (Italian Interior Ministry).

In the absence of a standardisation at a European level of the various national classification norms, it should be noted that the French M1 class corresponds to non flammable material and that M2 class corresponds to flame retardant material. The screens use projection fabrics/sheets composed mainly of plasticized PVC or fibreglass. As these fabrics are sensitive to temperature and humidity, the acceptable size tolerance is 1% in each dimension.

There is a tolerance of +/-2 mm on the aluminium profiles used.

The tolerance on the overall size are:

- +/- 3 mm up to an overall size of 2500 mm;
- +/- 5 mm up to an overall size of 4000 mm;
- +/- 10 mm up to an overall size of 8000 mm;
- +/- 20 mm up to an overall size of 16000 mm;
- +/- 30 mm up to an overall size of 24000 mm.

## 05 CLEANING AND MAINTENANCE

Screens and their projection surfaces are delicate and must be cleaned with great care, according to the following instructions:

Never use solvents, chemical or abrasive products, or pointed tools to clean the surface.

Avoid contact with other materials (varnishes, inks etc) as they might be impossible to remove from the canvas.

**PROJECTION FABRIC:** Remove dust from the case with a soft, clean cloth and a non aggressive detergent as necessary.

Clean the projection screen with a soft, clean, damp cloth, and a neutral or alcohol-base detergent as necessary. Since rubbing the screen with a cloth during cleaning operations can cause electrostatic charge to accumulate, we recommend the subsequent application of an antistatic liquid with a clean cloth, to avoid dust being attracted again

**GENERIC PROFILE:** Remove dust from the case with a soft, clean cloth and a non aggressive detergent as necessary

**VELVET PROFILE:** Clean profile with a soft clean cloth, or a brush with soft, antistatic bristles. A vacuum-cleaner brush may be used, provided its bristles are soft and perfectly clean.

**STRUCTURE and ANCHORING BRACKETS:** The state of the product and the anchoring capacity of its brackets must be checked regularly. In case of canvas deformation or rips, or loosening of structural components such as brackets or screws, action must be taken immediately to clear the area around the screen and avoid hazard to people and things, replace the defective component and restore the product's functionality.

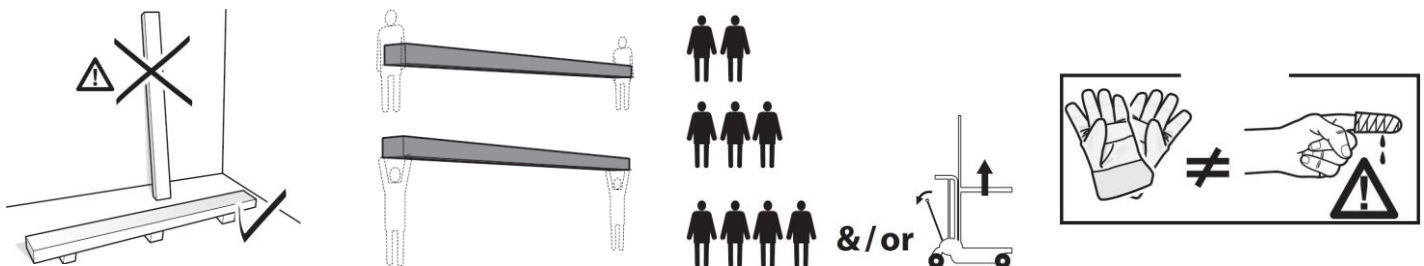
## 06 UNPACKING AND HANDLING THE SCREEN

Ensure that the screen has suffered no damage during transport. Should any fault be detected, promptly notify your dealer. Verify that all screen accessories have been included

### Motorised or integrated radio roller screen

- 1 Kit with 2 installation brackets (for screens up to 2.5 m wide)
  - 1 Kit with 3 installation brackets (for screen over 2.5 m wide)
  - 1 10° unipolar, 250V dead man's selector switch with directional arrows, inclusive of wall mount hood
  - 1 RF transmitter (for integrated radio screen models)
  - 1 plastic hex wrench
  - 1 instructions booklet
- (screws and plugs for wall mount are not included)

**CAUTION** do not use cutters or sharp objects to open the wrapping, always use protection gloves when unpacking, handling and installing the product. Depending on the product's weight (reference load: 25 Kg male – 15 Kg female), handling and installing operations should be performed by two, three or four people at least. For heavier loads we recommend the use of specific lifting equipment.



## 07 INSTALLATION INSTRUCTIONS

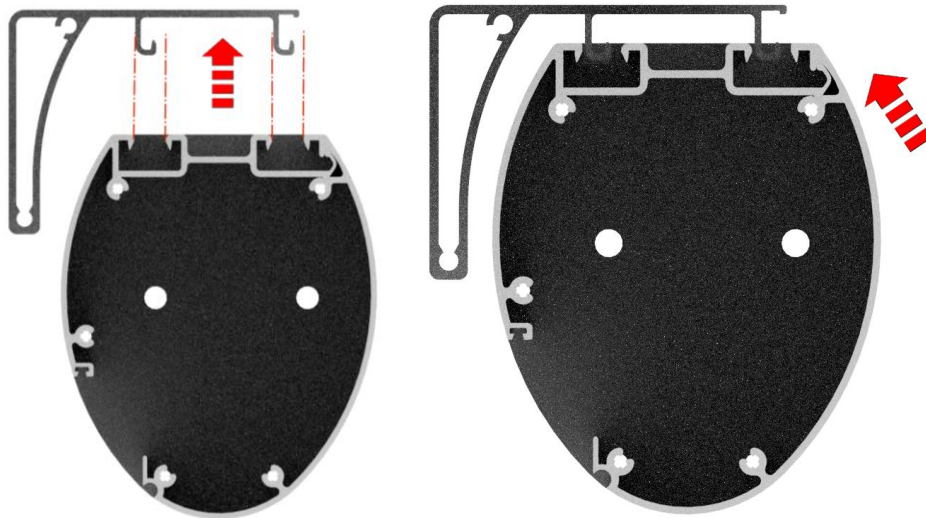
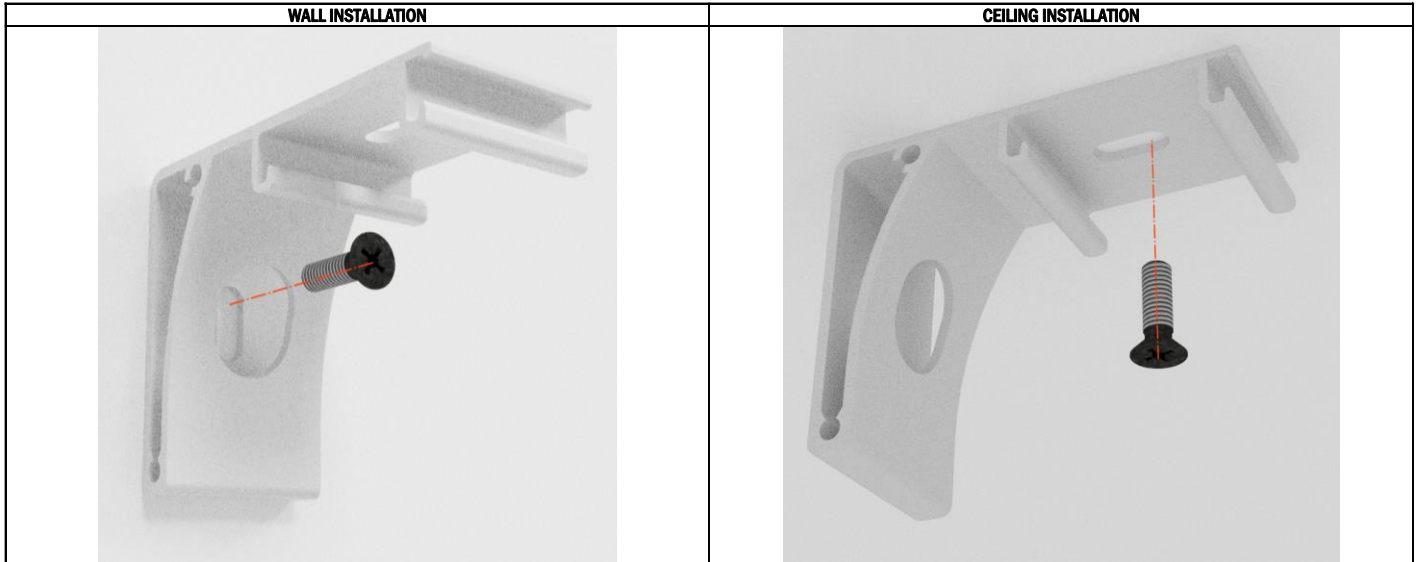


**WARNING:** It 's absolutely forbidden to install the screen on mobile walls or unstable cables, the brackets must be applied on surfaces that ensure in the time your distance. When installing the screen use plugs and screws suitable for the screen's weight and for the type of wall or ceiling on which the mount brackets are to be fixed, based on the following criteria

Screen width up to cm	210	260	310	360	410
Overall weight	Kg 22	Kg 26	Kg 33	Kg 36	Kg 41

### CEILING AND WALL INSTALLATION:

Install the screen like the image below.



# ENGLISH – Rolling screen installation and operation manual

## 09 MOTOR TYPE IDENTIFICATION – CHARACTERISTICS – ELECTRICAL CONNECTION

The type of motor installed on the product is identified by a label applied on each product showing the CE logo. When unwrapping the product please check the model type indicated on the label in order to perform the installation and cable connections correctly. Should the power of the motor be different from that of the supply network of the installation place, please contact an electrician to have a current and Hz transformer installed.



### ELECTRICAL CONNECTION:

electric cabling must be conformant with applicable IEC standards. IEC norm EN 60335-1 requires that supply network be fitted with an omnipolar selector switch with contact opening distance of at least 3 mm. For the screen's control use only the selector switch provided by manufacturer, or equivalent model, and follow the instructions of the connection diagram shown on left (if the motor is mounted on the left, the colours of the wires must be inverted, i.e. descending = brown, ascending = black). The selector switch must be mounted within sight distance of the product, at a 1.5 - 1.8 m height from the floor. To connect the wires to the supplied switch, remove the plastic front plates to access the lock/unlock buttons

### WARNING:

Correctly performed, state-of-the-art, norm-compliant electrical connections are important to prevent accidents and to ensure the screen's optimal and unaltered performance over time. Prior to carrying out any operation on electrical parts ensure that power supply is disconnected. In screens fitted with cases the motor is positioned on the right-hand side of the screen as seen from the front (upon request it can be located on the left). **Never connect two or more motors to the same selector switch without a control unit or two switches to the same motor.**

<p><b>NICE 230V 50Hz</b>  <b>Motor characteristics:</b>          Frequency: ~Hz50          Power: 120W          Torque: 10Nm          Speed: 17Rpm          Duty cycle: S2 4min          Cable length: 3m          Mechanical strength: EN14202 conformant          Operating T°: from -20 to +55 °C          Weighted sound pressure level: LpA ≤ 70 dB(A)          Motor protection class: IP44</p>	<p><b>Connection for each motor:</b></p> <ol style="list-style-type: none"> <li>① Brown (Up)</li> <li>② Black (Down)</li> <li>③ Blue (Common)</li> <li>④ Yellow Green (Ground)</li> </ol>	
---	---	--



### ELECTRICAL CONNECTION:

electric cabling must be conformant with applicable IEC standards. IEC norm EN 60335-1 requires that supply network be fitted with an omnipolar selector switch with contact opening distance of at least 3 mm. For each motor (e.g. plug switch etc.). In case of need, this device ensures that the power supply is safely and quickly cut off. Use the wires as described in the figure.

### WARNING:

Correctly performed, state-of-the-art, norm-compliant electrical connections are important to prevent accidents and to ensure the screen's optimal and unaltered performance over time. Prior to carrying out any operation on electrical parts ensure that power supply is disconnected.

Bus cables (black white orange) must be insulated if not used for the push-button command.  
 In screens fitted with cases the motor is positioned on the right-hand side of the screen as seen from the front.  
 Operates with standard radio control (supplied).

<p><b>NICE 230V 50Hz + Interface TT1N</b>  <b>Motor characteristics:</b>          Frequency: ~Hz50          Power: 120W          Torque: 10Nm          Speed: 17Rpm          Duty cycle: S2 4min          Cable length: 3m          Mechanical strength: EN14202 conformant          Operating T°: from -20 to +55 °C          Weighted sound pressure level: LpA ≤ 70 dB(A)          Motor protection class: IP44</p>	<p><b>Connection for each motor:</b></p> <ol style="list-style-type: none"> <li>⑤ Yellow Green (Ground 230V)</li> <li>⑥ Brown (Phase 230V)</li> <li>⑦ Blue (Neutral 230V)</li> </ol>	
--	--	--

## 10 END STOP MOTOR CHANGE (procedures already carried out in factory)



### WARNING - READ CAREFULLY BEFORE PERFORMING ADJUSTMENTS

Adjustments shown in the following table must be performed by authorised and specialised personnel only. Incorrect performance of the procedures described may result in damages to the product which will not be covered by guarantee. End stops adjustment varies depending on the motor's position (left side A column - right side B column) or on drop of the curtain (rear line C - front line D). Adjustment is performed with a 4 mm hex wrench (included).

**END STOPS ADJUSTMENT SCREWS ARE POSITIONED IN THE BOTTOM PART OF THE SCREEN (SOME HOLE IN THE HOUSING IS COVERED UP BY THE WARRANTY LABEL, NO TOTALLY REMOVE THE ADHESIVE, LEAVE FREE ONLY THE HOLE - see image on lateral side), AND NOT IN THE RIGHT OR LEFT HAND SIDES. DO NOT ADJUST THE END STOPS WHEN UP OR DOWN BUTTON IS ACTIVATED.**



### WARNING

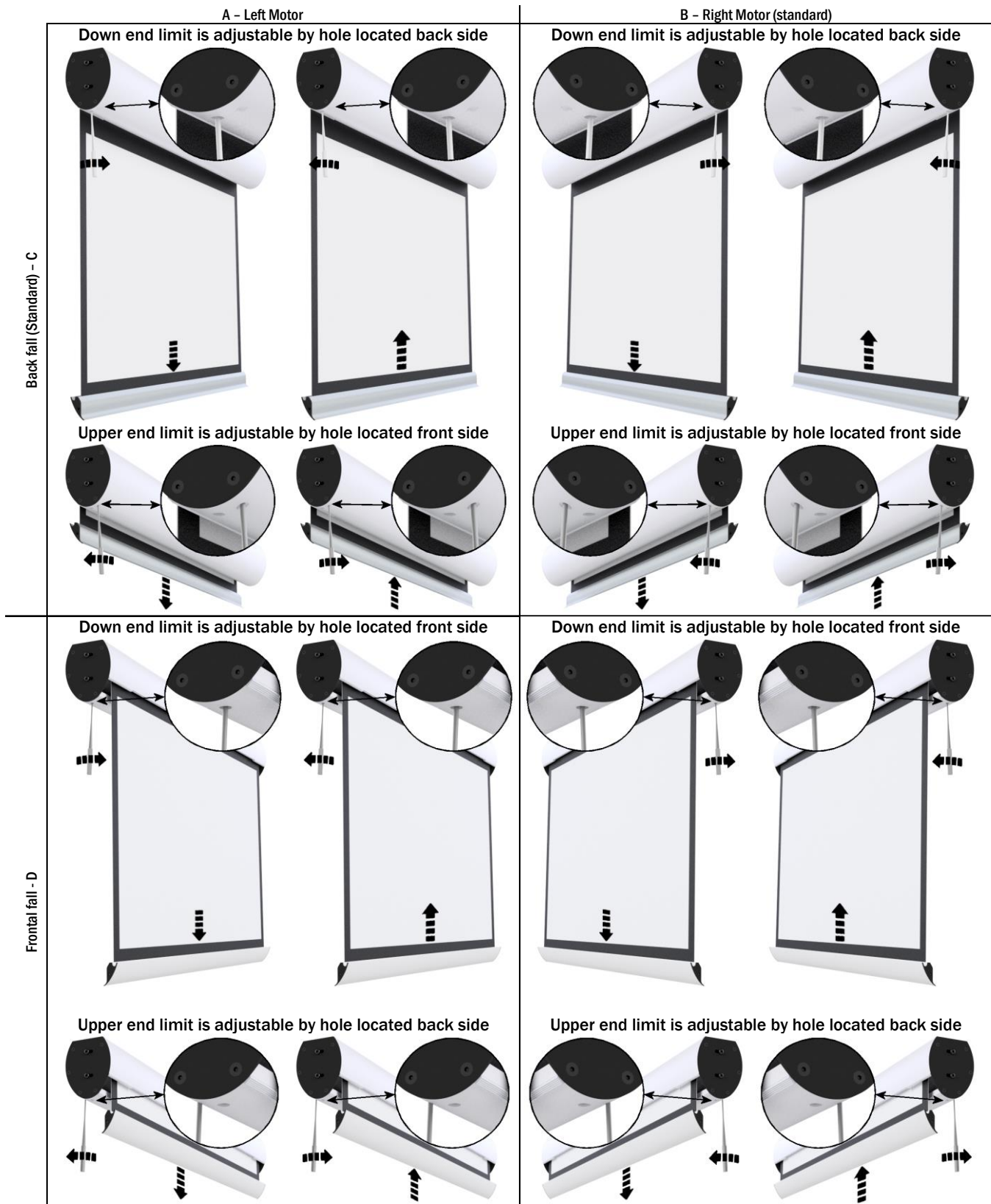
End stop is adjusted so as to allow the projection sheet to wind around the roller at least 1.5 times to avoid the sheet coming loose. Special attention must be paid when end stops are adjusted in such a way that projection sheet unwinds beyond the factory setting. This is allowed within a limit of 3 cm without posing a risk to the product. Incorrect adjustment of end stops can cause:

- Projection sheet coming away from the roller
- Projection sheet winding the wrong way, with ensuing damage to flatness of the projection surface and to winding mechanisms
- Breaking of bottom end black frame welding (framed screens)
- Excessive strain on motor with possible ensuing damage and activation of motor's thermal resistance
- Excessive winding of the end stop adjustment system with ensuing breaking of the mechanical part

### WARRANTY

Operators are reminded that in cases where seals have been tampered with and where any damages have resulted from incorrect adjustment, repair interventions shall not be covered by guarantee.

10 END STOP SOMFY MOTOR ADJUSTMENT NICE



## 12 WARRANTY CARD - WARRANTY CONDITIONS

Adeo Screen Sp. z o.o. with its seat in Złotoryja at B. Krzywoustego 31, 59-500 Złotoryja (hereinafter: **'Manufacturer'**) guarantees the proper operation of the projection screen/device (hereinafter: **'Goods'**) for a period of 24 months from the date of issue of the purchase invoice / receipt by the retailer of the Goods, i.e. the entity who purchased the Goods directly from the Manufacturer in the course of business (hereinafter: **'Retailer'**). The warranty rights against the Manufacturer are vested in the End Customer, i.e. the person who purchased the Goods from the retailer (hereinafter: **'End Customer'**).

The Goods must be used in accordance with the issued manual, rules of safety and fire protection as well as other generally applicable laws. Defects in the Goods revealed during this period of use will be removed by the Manufacturer's service located in the territory of the Republic of Poland, according to the principles described below.

1. Complaint notifications shall be sent to the Manufacturer's e-mail address (info@adeoscreen.com) or by post (Bolesława Krzywoustego 31, 59-500 Złotoryja) immediately, but no later than within 7 days from the date of finding the defect in the Goods. The complaint shall contain the data of the Client (name and surname, mailing address, telephone number), data of the Goods to which the complaint relates, a detailed description of the defect found, together with photographs and an indication of the date on which the defect was found. The warranty card and a photocopy of the proof of purchase of the Goods complained of must be attached to the complaint notification, otherwise the complaint will not be recognised. In the case of an incomplete complaint notification, the Manufacturer will call for its completion.
2. The Warranty covers only the entitlement to request repair of the Good.
3. The Manufacturer shall, within 7 business days from receipt of a complete complaint notification, inform the End Customer of the acceptance or refusal of the complaint. In the case of acknowledgement of the complaint, the Manufacturer shall call the End Customer to send the Goods, sending an authorisation (SRO document) for the return of the Goods issued by the Manufacturer's Customer Service Department employees. The End Customer is obliged, at his/her own expense, to de-install the Goods and return the Goods to the Manufacturer's premises in the original or equivalent packaging so that no damage occurs during transport. The cost of transporting the Goods to the Manufacturer's head office is covered by the Manufacturer, with the proviso that the transport organised by the Customer corresponds to the market rates.
4. Upon receipt of Goods qualifying for a complaint, the Manufacturer will repair the Goods within 14 (business) days of receipt of the Goods. The deadline for rectification of the defect may be extended by the time needed to import the necessary replacement parts, in any case not exceeding 30 business days. In any such case, the Manufacturer shall notify the end customer of the extension of the repair period due to the necessity of importing the spare parts and provide a new deadline for the removal of the defect.
5. The removal of the defect or failure shall be confirmed by the End Customer. The acknowledgement of the removal of the defect, as well as the refusal of such acknowledgement, shall be made not later than within 14 days as of the date of the Manufacturer's notification to the End Customer of the repair. Refusal to carry out acceptance activities within the aforementioned period of time of the End Customer's acknowledgement of the removal of defects shall be tantamount to acknowledgement of their proper removal. Upon ascertainment of the defect removal, the End Customer is obliged to immediately collect the Goods from the Manufacturer. The cost of delivery of the Goods to the End Customer shall be covered by the Manufacturer, with the proviso that the transport organised by the Customer corresponds to the market rates. The Manufacturer shall not be obliged to install the Goods. The Manufacturer is not obliged to carry out and bear the costs of reinstallation of the Goods after the repair.
6. If, despite qualifying the Goods for a complaint, during the course of warranty repair the Manufacturer finds damage excluded from the scope of the warranty, the Manufacturer shall, before undertaking work at the end customer's expense, inform the customer of the amount of the estimated repair costs and take further action after obtaining the end customer's consent to charge these costs.
7. The Manufacturer's liability under warranty is excluded if:
  - a) The Goods are used in a manner inconsistent with their intended use or instructions for use, in particular when the defect is the result of misuse of the Goods,
  - b) a defect in the Goods has arisen during installation,
  - c) assembly, installation and maintenance of the Goods have not been carried out by professionals or by technically qualified personnel or in accordance with the instructions in the user manual,
  - d) a defect in the Goods arising during transport, insofar as the Manufacturer is not responsible for the transport and the End Customer does not accept the delivery with remarks due to a lack of integrity of the shipment,
  - e) defects in the Goods have arisen as a result of fortuitous events, particularly of a force majeure nature,
  - f) defects in the Goods are the result of repairs or interference by persons not authorised by the Manufacturer,
  - g) The goods were not purchased directly from the retailer.
8. In the case of the occurrence of a premise conditioning the exclusion of the Manufacturer's liability under warranty, the costs of delivering the Goods to the Manufacturer and the costs of transporting the Goods to the End Customer after the repair shall be borne by the End Customer.

This Warranty does not exclude, limit or suspend the rights of the Customer under mandatory provisions of law, including rights against the retailer under the warranty for defects.

This Warranty card is provided to the End Customer by the Retailer and is an integral part of the projection screen User Manual.

## 01 INTRODUZIONE



Il presente manuale è parte integrante del prodotto e la sua lettura e comprensione sono di fondamentale importanza per la sicurezza. In esso sono descritte le norme e le modalità di impiego che consentiranno al cliente un corretto e sicuro uso dello schermo. Il manuale deve sempre accompagnare il prodotto e va custodito con cura in luogo idoneo a garantirne l'integrità fisica e facilmente accessibile a chiunque sia autorizzato alla sua consultazione. Ogni utilizzatore del prodotto è responsabile della salvaguardia del manuale. L'utilizzatore è inoltre responsabile del controllo della funzionalità dello schermo e della riparazione o sostituzione di parti soggette ad usura che potrebbero causare danni. Le immagini contenute in questo manuale hanno lo scopo di descrivere in maniera dettagliata funzioni, caratteristiche o procedure. Tuttavia possono differire per il tipo di modello rappresentato, questo non comporta modifiche al significato descrittivo dell'immagine.

## 02 NORME GENERALI DI SICUREZZA



**ATTENZIONE:** Importanti istruzioni di sicurezza. Attenersi alle istruzioni poiché l'installazione impropria può provocare gravi ferite. Assicurarsi sempre di aver letto e compreso bene le istruzioni e le avvertenze contenute in questo manuale prima di iniziare ad utilizzare il prodotto e di effettuare qualsiasi intervento di manutenzione.

- Divieto assoluto di installare gli schermi sopra zone di possibile transito di persone. Controllare, prima e durante l'utilizzo, che lo schermo non generi situazioni pericolose.
- Non manomettere, togliere o danneggiare nessun elemento o parte dello schermo.
- Non eseguire mai operazioni di manutenzione sullo schermo con motore acceso (Per una maggior sicurezza, togliere l'alimentazione).
- Obbligatorio scollegare l'alimentazione durante la pulizia, la manutenzione o quando si sostituiscono delle parti.
- Divieto assoluto di utilizzo del prodotto ai bambini. Divieto assoluto di far avvicinare bambini allo schermo durante il suo movimento.

Un'installazione errata può compromettere la sicurezza delle persone che useranno il prodotto, il produttore non è responsabile per danni a cose o persone causati da installazione errata, uso improprio dello schermo, scarsa o insufficiente manutenzione.

**ATTENZIONE:** I kit d'installazione di ogni schermo, non contengono viti e tappi a espansione per il fissaggio alle pareti/soffitti. L'installatore è responsabile della scelta adeguata di viti e sistemi di fissaggio, in base alle differenti tipologie di materiale delle pareti o soffitti sui quali deve installare lo schermo.

Il produttore non è responsabile di problemi legati ad errori d'installazione. Se necessario contattare il nostro ufficio tecnico per eventuali chiarimenti.

L'installazione dello schermo, i collegamenti elettrici e le verifiche in caso di malfunzionamento degli avvolgimenti motorizzati devono essere eseguiti dal rivenditore autorizzato o da personale competente e a conoscenza dei rischi che può presentare l'energia elettrica. Il cavo di collegamento non può essere sostituito. Se il cavo è danneggiato lo schermo deve essere sostituito. La manomissione del fine corsa o la foratura del sigillo posto sopra i fori comporta la decadenza della garanzia.

**FINTO IL MONTAGGIO DELLO SCHERMO SULLE STAFFE E' OBBLIGATORIO VERIFICARE LA PERFETTA ORIZZONTALITA' PRIMA DELL'UTILIZZO.**



## 03 AVVERTENZE E PRECAUZIONI PER L'UTILIZZO E INSTALLAZIONE

Gli schermi sono indicati per utilizzi in ambienti interni con condizioni di temperatura (20 - 25 °C) ed umidità normali.

Installare gli schermi fronte finestre, in prossimità di fonti di calore o freddo quali caminetti condizionatori o termosifoni, potrebbe comportare deformazioni o allungamenti permanenti del tessuto di proiezione facendo decadere la garanzia su di esso.

L'utilizzo dello schermo motorizzato all'esterno prevede l'adozione di particolari precauzioni quali:

- 1- Protezione del cavo/i di alimentazione del motore dalle radiazioni UV, con adeguate canaline o guaine idonee all'installazione esterna.
- 2- Utilizzo di passacavi per l'isolamento all'acqua e umidità nelle giunzioni con le scatole portafruti o derivanti.
- 3- Utilizzo di commutatori con grado di protezione IP55 o superiore (il commutatore di serie al prodotto non è conforme all'utilizzo esterno).
- 4- Copertura e relativa protezione dello schermo dal contatto diretto con acqua o liquidi

Non lasciare esposto per lunghi periodi il telo di proiezione alla luce solare per prevenire l'ingiallimento dello stesso (verificare anche che, a causa dell'esposizione alla luce solare, lo schermo non raggiunga i livelli di temperatura sopra indicati).

Poiché il materiale di cui è composto il telo di proiezione (PVC) tende a caricarsi elettrostaticamente, una presenza eccessiva di polveri nell'ambiente di proiezione può provocare un degrado delle qualità ottiche del telo a causa della deposizione delle polveri per attrazione elettrostatica (vedi anche pulizia del telo di proiezione).

Si premette che l'utilizzo dello schermo avvolgibile prevede la completa apertura del tessuto (discesa) e successivamente al suo utilizzo con proiettore, la completa chiusura del tessuto (salita). La completa apertura e chiusura (discesa-salita) dello schermo viene indicato come "ciclo".

Gli schermi avvolgibili motorizzati sono indicati per utilizzi a "ciclo" unico, questo significa che fra un ciclo e l'altro viene normalmente lasciato passare un notevole lasso di tempo. Non è previsto l'utilizzo dello schermo con continue aperture e chiusure.

I motori utilizzati negli schermi, sono provvisti di sistemi di bloccaggio termico che permette di non surriscaldare il motore danneggiandolo in modo permanente. L'attivazione del blocco termico avviene dopo un certo numero di cicli di utilizzo, il numero di cicli varia in base al tipo di motore e al tipo di schermo (normalmente fra 3 e 6 cicli). Si precisa comunque che il calore emesso dal motore viene trasmesso al rullo e di conseguenza al tessuto avvolto sul rullo. Il surriscaldamento del tessuto può provocare deformazioni o allungamenti non omogenei permanenti con conseguenti disallineamenti del fondale o deformazioni del tessuto.

Allo scopo di evitare quanto precedentemente descritto si fa divieto assoluto di utilizzare lo schermo superando 3 cicli completi di utilizzo (salita-discesa). Al raggiungimento del 3 ciclo di utilizzo continuo o a tempi ravvicinati, sarà necessario attendere 40min con lo schermo in posizione aperta (tessuto srotolato) per permettere il raffreddamento del motore e relativi componenti strutturali, prima di un nuovo utilizzo.

**ATTENZIONE:** Non forzare manualmente la fuoriuscita del telo perché potrebbe provocare danni al motore o il distacco del cassetto di contenimento dalle staffe di fissaggio.

Non permettere ai bambini di giocare con i dispositivi di comando fissi. Tenere i telecomandi lontano dai bambini.

Ossevare lo schermo in movimento e tenere lontane le persone finché lo schermo non sia completamente chiuso.

È vietato, bloccare, impedire e forzare il movimento dello schermo, aggrapparsi o dondolarsi, aggiungere o applicare qualunque oggetto al telo o fondale, modificare la struttura dello schermo; in quanto potrebbe causare danni al sistema di avvolgimento con conseguenti danni a cose e persone.

Installare lo schermo fronte finestre comporta la decadenza di garanzia sul materiale di proiezione.

Installare lo schermo in prossimità di fonti di calore o freddo quali caminetti condizionatori, termosifoni o similari comporta la decadenza di garanzia sul materiale di proiezione.

Installare lo schermo tassativamente a livello.



## SMALTIMENTO DEL PRODOTTO



Come per le operazioni d'installazione, anche al termine della vita di questo prodotto, le operazioni di smantellamento devono essere eseguite da personale qualificato. Questo prodotto è costituito da vari tipi di materiali: alcuni possono essere riciclati, altri devono essere smaltiti. Informatevi sui sistemi di riciclaggio o smaltimento previsti dai regolamenti vigenti nel vostro territorio, per questa categoria di prodotto.

Come indicato dal simbolo a fianco è vietato gettare questo prodotto nei rifiuti domestici. Eseguire quindi la "raccolta separata" per lo smaltimento, secondo i metodi previsti dai regolamenti vigenti nel vostro territorio, oppure riconsegnare il prodotto al venditore nel momento dell'acquisto di un nuovo prodotto equivalente.

Attenzione: i regolamenti locali possono prevedere pesanti sanzioni in caso di smaltimento abusivo di questo prodotto.



## 04 CARATTERISTICHE GENERALI DEL PRODOTTO

Lo schermo prodotto è costruito in conformità con le disposizioni delle seguenti direttive CE:

- 2014-35-CE LDV Bassa tensione
- 2014-30-EU EMC Compatibilità elettromagnetica
- 2014-53-CE Apparecchiature radio
- 2009-125-CE CONSUMI Eco design
- 2015-863-EC ROHS Sostanze pericolose
- 2012-19-CE RAEE Trattamento rifiuti
- 2001-95-CE SICUREZZA Prodotti sicuri

Lo schermo descritto nel presente manuale deve essere utilizzato solo ed esclusivamente come supporto per la videoproiezione. Qualsiasi altro uso non previsto da questo manuale, non è acconsentito.

Lo schermo contiene uno o più tessuti/fogli di proiezione in PVC plastificato senza cadmio oppure in FIBRA di VETRO impregnata di PVC plastificato, ogni tessuto può essere classificato di categoria:

- M1 o M2 secondo la regolamentazione Francese (LNE Laboratoire national de métrologie et d'essais - French Companies CREPIM - Efectis France);
- B1 o B2 secondo la regolamentazione Tedesca (Exova Warringtonfire Laboratory of Frankfurt am Main);
- Bs1d0 secondo la regolamentazione Italiana (Italian Interior Ministry).

Poiché non esiste ancora a livello europeo una armonizzazione tra le varie normative nazionali di classificazione si esplicita che la classe M1 francese corrisponde a materiale non infiammabile e la classificazione M2 corrisponde a materiale non facilmente infiammabile.

I tessuti/fogli di proiezione contenuti e utilizzati sugli schermi sono costituiti principalmente da PVC plastificato o fibra di vetro plastificata, tali tessuti sono sensibili a temperatura e umidità, per tale motivo la tolleranza dimensionale accettata è del 1% su ogni dimensione.

Le tolleranze sui profili in alluminio utilizzati sono di +/- 2 mm.

Le tolleranze sull'ingombro totale sono di:

- +/- 3 mm fino a 2500 mm di ingombro totale;
- +/- 5 mm fino a 4000 mm di ingombro totale;
- +/- 10 mm fino a 8000 mm di ingombro totale;
- +/- 20 mm fino a 16000 mm di ingombro totale;
- +/- 30 mm fino a 24000 mm di ingombro totale.

## 05 PULIZIA MANUTENZIONE

Lo schermo e i tessuti di proiezione degli schermi sono delicati, quindi bisogna prestare particolare attenzione e seguire le seguenti istruzioni per la loro pulizia:

Non utilizzare mai solventi, prodotti chimici o abrasivi o strumenti appuntiti per pulire la superficie.

Evitare qualsiasi contatto con altri materiali (vernici, inchiostri ect) in quanto potrebbe essere impossibile rimuoverli dal tessuto.

**TESSUTI DI PROIEZIONE:** Per pulire telo di proiezione, utilizzare un panno morbido, pulito, inumidito, eventualmente abbinato con detergenti a base neutra o alcool. Poiché dopo la pulizia potrebbe verificarsi che il telo si carichi di elettricità statica, a causa dello sfregamento con il panno, si consiglia di passare, con un panno pulito, un liquido antistatico sul telo per evitare che la polvere venga nuovamente attratta dallo stesso.

**PROFILI GENERICI:** Per pulire il profilo spolverare utilizzando un panno morbido pulito ed eventualmente dei detergenti non aggressivi.

**PROFILI VELLUTATI:** Per pulire il profilo spolverare utilizzando un panno morbido pulito o spazzole con setole morbide e antistatiche. E' acconsentito utilizzare un spazzola installata su aspirapolvere solo se le setole sono morbide e perfettamente pulite.

**STRUTTURA e STAFFE DI FISSAGGIO:** E' obbligatorio verificare periodicamente lo stato del prodotto e la tenuta delle sue staffe di fissaggio. In caso di presenza di deformazioni, lacerazioni o cedimenti strutturali di staffe viti o componenti del prodotto, è obbligatorio mettere immediatamente in sicurezza la zona circostante lo schermo, per evitare qualsiasi tipo di danno a cose e persone. Successivamente è obbligatorio provvedere all'immediata sostituzione del presunto componente difettoso e al ripristino del prodotto.

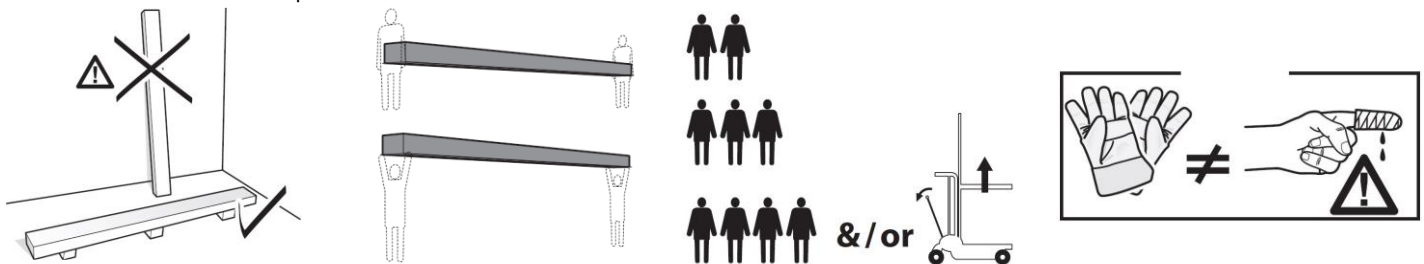
## 06 DISIMBALLO DELLO SCHERMO E MOVIMENTAZIONE PRODOTTO

Assicurarsi che nessuna parte dello schermo sia stata danneggiata durante il trasporto. In caso di anomalia comunicarlo tempestivamente al rivenditore. Verificare che siano presenti tutti gli accessori per tipo di schermo descritti nel manuale.

### Schermo avvolgibile motorizzato o Radio Integrato

- 1 Kit con 2 staffe per l'installazione (per schermi fino alla larghezza di 2.5mt)
  - 1 Kit con 3 staffe per l'installazione (per schermi oltre alla larghezza di 2.5mt)
  - 1 commutatore unipolare 10°, 250V uomo presente con frecce direzionali, compreso di calotta per montaggio a parete
  - 1 trasmettitore a radio frequenza (per schermi versione radio integrato)
  - 1 chiave esagonale in plastica
  - 1 libretto istruzioni
- (non compresi viti e tasselli per parete)

**ATTENZIONE** non usare taglierini o oggetti appuntiti per aprire l'imballo, utilizzare sempre guanti di protezione durante l'apertura dell'imballo e l'installazione o movimentazione del prodotto. Movimentare e installare il prodotto minimo in due tre o quattro persone in base al peso del prodotto (valori di riferimento per carico propersona: 25kg maschio - 15kg femmina). In caso di pesi superiori si raccomanda di utilizzare attrezzatura di sollevamento specifica.



## 07 ISTRUZIONI PER L'INSTALLAZIONE

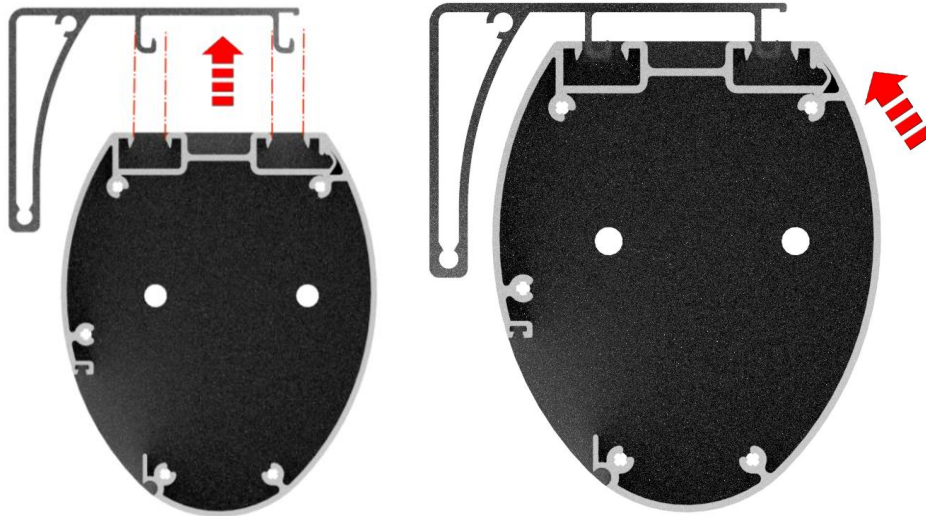
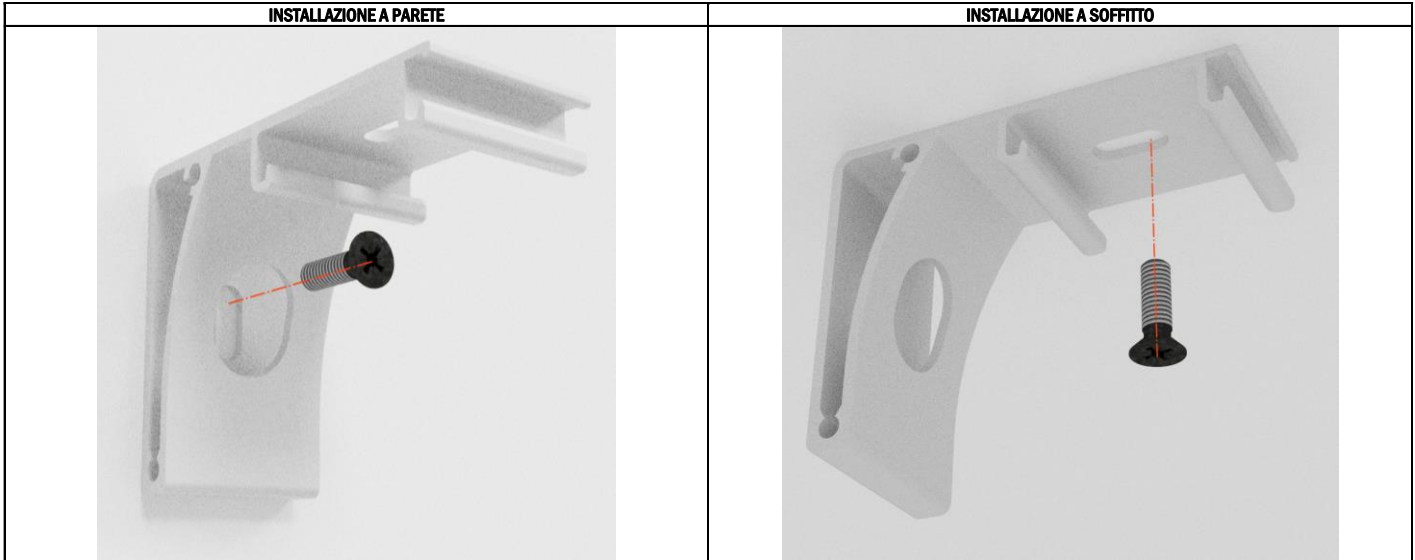


**ATTENZIONE:** E' assolutamente vietato installare lo schermo su pareti mobili o cavi instabili, le staffe devono essere applicate su superfici che garantiscono nel tempo la distanza fra una staffa e l'altra. L'installazione dello schermo deve essere effettuato con viti e tasselli adeguati al peso e alla tipologia di parete o soffitto sulle quali si vuole fissare le staffe, prima di incominciare l'installazione scegliete il tipo di tassello o fissaggio seguendo lo schema seguente:

Schermo con larghezza fino a cm	210	260	310	360	410
Peso complessivo da considerare	Kg 22	Kg 26	Kg 33	Kg 36	Kg 41

### INSTALLAZIONE A PARETE E SOFFITTO:

Installare lo schermo come da immagini sottostanti.



MAX DISTANCE 100mm



## 09 IDENTIFICAZIONE TIPO MOTORE - CARATTERISTICHE - COLLEGAMENTO ELETTRICO

Il tipo di motore installato sul prodotto è identificato sull'etichetta riportante il logo CE e applicata su ogni prodotto, all'apertura dell'imballo si prega di controllare tale etichetta e di identificare il modello corretto di motore per effettuare la corretta installazione e il corretto cablaggio. Nel caso in cui la potenza del motore non corrispondesse alla potenza della linea elettrica del luogo di installazione, si prega di contattare un tecnico elettricista e fornirsi di un corretto trasformatore di corrente e Hz.



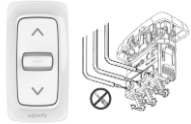
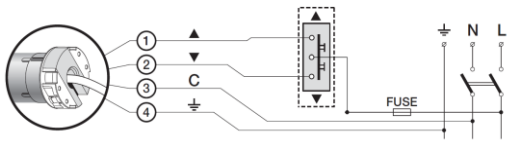
### COLLEGAMENTO ELETTRICO:

Il cablaggio elettrico deve rispettare le norme CEI in vigore. La norma CEI EN 60335-1 prevede che nella rete di alimentazione ci sia un dispositivo di disconnessione onnipolare con una distanza di apertura dei contatti di almeno 3 mm. Utilizzare per il comando dello schermo solo il commutatore fornito a corredo, o modello equivalente, seguendo le indicazioni dello schema di collegamento a sinistra (se il motore è montato sulla sinistra i colori dei fili vanno invertiti, cioè discesa = marrone, salita = nero). Il commutatore deve essere montato a vista del prodotto ed ad un'altezza compresa fra 1.5 e 1.8 mt di altezza dal pavimento. Per collegare i cavi al pulsante in dotazione, togliere le placche frontali per accedere ai pulsanti di blocco/sblocco

### ATTENZIONE:

La corretta esecuzione degli allacciamenti elettrici, a regola d'arte e nel rispetto delle norme vigenti, è importante ai fini della prevenzione degli infortuni e del buon funzionamento, inalterato nel tempo, dello schermo. Prima di eseguire qualsiasi operazione su parti elettriche, assicurarsi che non vi sia tensione.

Il motore negli schermi dotati di cassonetto è posto sulla destra dello schermo visto frontalmente (a richiesta è possibile averlo inserito sulla sinistra). Non collegare mai due o più motori allo stesso commutatore senza un comando di gruppo, oppure due commutatori allo stesso motore.

<p><b>NICE 230V 50Hz</b>  <b>Caratteristiche Motore</b>          Frequenza: ~ Hz50          Potenza: 120W          Coppia: 10Nm          Velocità: 17Rpm          Ciclo di funzionamento: S2 4min          Lunghezza cavo: 3m          Resistenza meccanica: secondo norma EN14202          T° di funzionamento: da -20 a +55 °C          Livello di pressione sonora ponderato: LpA ≤ 70 dB(A)          Classe protezione motore: IP44</p>	<p><b>Connessione per ogni motore:</b></p> <ol style="list-style-type: none"> <li>1 Marrone (Salita)</li> <li>2 Nero (Discesa)</li> <li>3 Blu (Comune)</li> <li>4 Giallo verde (Terra)</li> </ol> 	
---	---	--

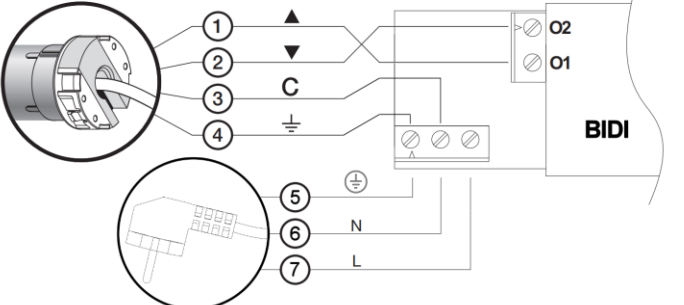


### COLLEGAMENTO ELETTRICO:

Il cablaggio elettrico deve rispettare le norme CEI in vigore. La norma CEI EN 60335-1 prevede che nella rete di alimentazione ci sia un dispositivo di disconnessione onnipolare con una distanza di apertura dei contatti di almeno 3 mm per ogni singolo motore (es. interruttore spina ecc.) In caso di necessità, questo dispositivo garantisce una veloce e sicura sconnessione dell'alimentazione elettrica. Utilizzare i cavi per la connessione come descritto nell'immagine.

### ATTENZIONE:

La corretta esecuzione degli allacciamenti elettrici, a regola d'arte e nel rispetto delle norme vigenti, è importante ai fini della prevenzione degli infortuni e del buon funzionamento, inalterato nel tempo, dello schermo. Prima di eseguire qualsiasi operazione su parti elettriche, assicurarsi che non vi sia tensione. Il motore negli schermi dotati di cassonetto è posto sulla destra dello schermo visto frontalmente. L'azionamento avviene tramite radiocomandi forniti di serie.

<p><b>NICE 230V 50Hz + Interfaccia TT1N</b>  <b>Caratteristiche Motore</b>          Frequenza: ~ Hz50          Potenza: 120W          Coppia: 10Nm          Velocità: 17Rpm          Ciclo di funzionamento: S2 4min          Lunghezza cavo: 3m          T° di funzionamento: da -20 a +55 °C          Frequenza: 433.92 MHz          Portata trasmet: 150m          Livello di pressione sonora ponderato: LpA ≤ 70 dB(A)          Classe protezione motore: IP44</p>	<p><b>Connessione per ogni motore:</b></p> <ol style="list-style-type: none"> <li>5 Giallo verde (Terra 230V)</li> <li>6 Marrone (Fase 230V)</li> <li>7 Blu (Neutro 230V)</li> </ol>	
---	--	--

## 10 MODIFICA FINE CORSA (procedura già effettuata in fabbrica)



### ATTENZIONE LEGGERE PRIMA DI EFFETTUARE LE REGOLAZIONI

le regolazioni indicate nella tabella seguente devono essere eseguite solo da personale autorizzato e specializzato. l'utilizzo non corretto delle procedure descritte possono causare danneggiamenti al prodotto, per i quali non sarà riconosciuta la garanzia. La regolazione dei fine corsa varia in base alla posizione del motore (motore sinistro colonna A motore destro colonna B) oppure in base alla caduta del tessuto (caduta posteriore riga C - caduta anteriore riga D), La regolazione viene effettuata con una chiave esagonale da 4mm (in dotazione).

LE VITI PER LA REGOLAZIONE DEI FINE CORSA SI TROVANO NELLA PARTE INFERIORE DELLO SCHERMO (TALE FORO È COPERTO DA ADESIVO DI GARANZIA, NON RIMUOVERE COMPLETAMENTE L'ADESIVO, LASCIARE LIBERO SOLO IL FORO - vedi immagine a lato) E "NON" NEL FIANCO DESTRO O SINISTRO. NON REGOLARE I FINE CORSA CON IL PULSANTE SALITA O DISCESA ATTIVATO.

### AVVERTENZE

Il fine corsa è regolato in maniera da permettere che il foglio di proiezione sia avvolto per almeno 1,5 giri attorno al rullo per evitare il distacco del foglio. Particolare attenzione va posta in caso di regolazione dei fine corsa per personalizzare l'impostazione dell'area di visione. La regolazione è permessa fino a 3 cm senza rischio di danni al prodotto. Un errata regolazione dei fine corsa può causare:

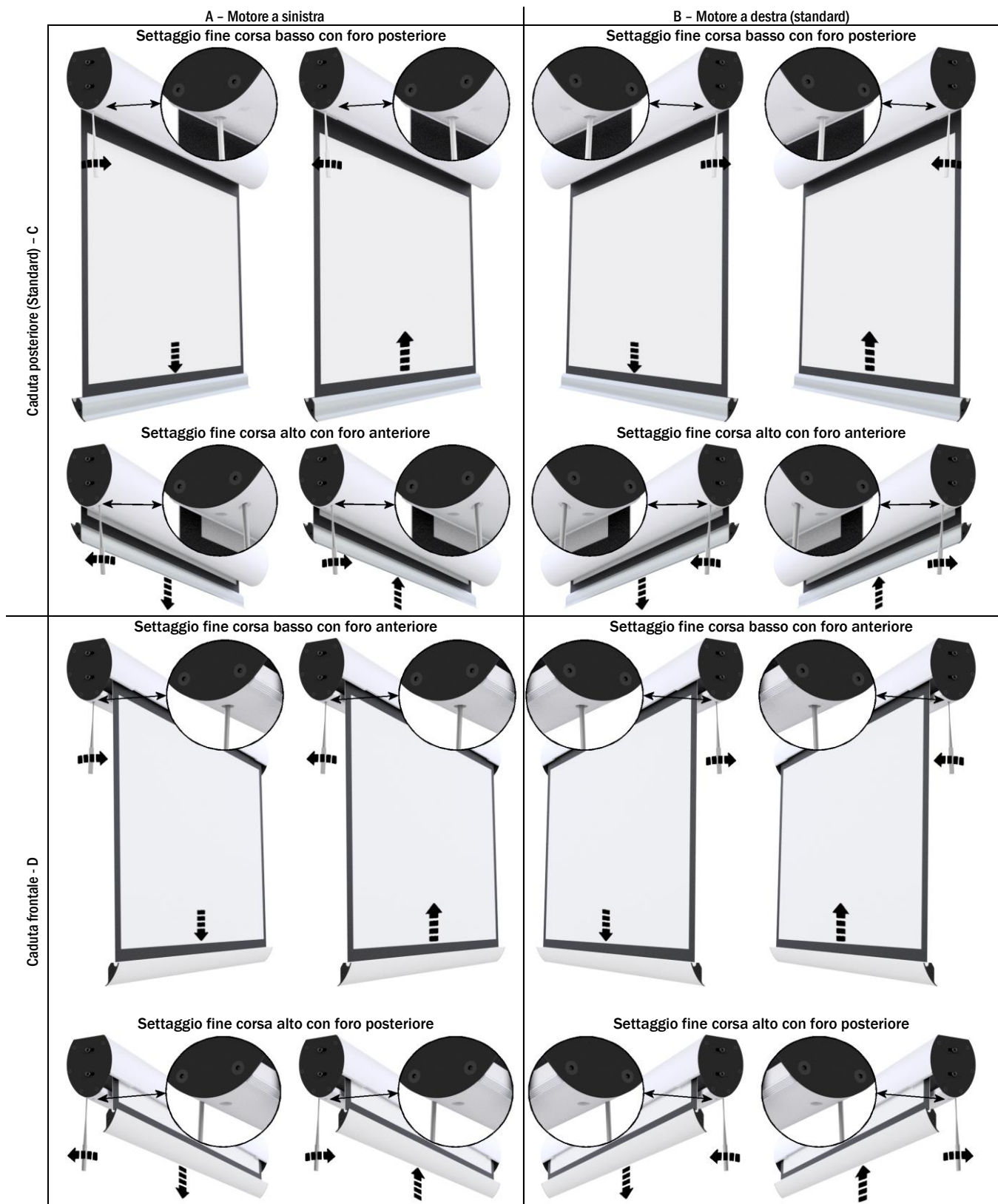
- Distacco del foglio di proiezione dal rullo
- Avvolgimento in senso contrario del foglio di proiezione con danneggiamento della planarità della superficie di proiezione e dei meccanismi di avvolgimento.
- Rottura della saldatura del bordo nero in basso (schermi bordati).
- Sforzo eccessivo sul motore con possibile danneggiamento e attivazione della resistenza termica contenuto in esso.
- Avvolgimento eccessivo del sistema di taratura fine corsa con conseguente rottura della parte meccanica.

### GARANZIA

Si ricorda agli operatori che in caso di manomissione dei sigilli e danneggiamento derivante da una regolazione errata, gli interventi per riparazione verranno considerati fuori garanzia.



10 MODIFICA REGOLAZIONE FINE CORSA MOTORE NICE



## CERTIFICATO DI GARANZIA - CONDIZIONI DI GARANZIA

Adeo Screen Sp. z o.o. con sede in ul. B. Krzywoustego 31, 59-500 Złotoryja – Polonia (di seguito: "**Produttore**") garantisce il funzionamento efficiente dello schermo/dispositivo di proiezione (di seguito: "**Prodotti**") per un periodo di 24 mesi dalla data della fattura d'acquisto/ ricevuta emessa dal rivenditore, ossia dal soggetto che ha acquistato i Prodotti direttamente dal Produttore, al cliente finale (di seguito: "**Rivenditore**"). I diritti di garanzia nei confronti del Produttore spettano al cliente finale, ossia alla persona che ha acquistato i Prodotti dal Rivenditore (di seguito: "**Cliente finale**").

I Prodotti devono essere utilizzati in conformità alle istruzioni per l'uso, alle norme di salute e sicurezza e protezione dal fuoco e alle altre leggi generalmente applicabili. I difetti dei Prodotti riscontrati durante questo periodo di utilizzo saranno eliminati dal servizio del Produttore situato in Polonia, secondo i principi descritti di seguito.

1. Il reclamo deve essere inviato all'indirizzo e-mail del Produttore (info@adeoscreen.com) o per posta (ul. Bolesława Krzywoustego 31, 59-500 Złotoryja) non oltre 7 giorni dalla scoperta di un difetto dei Prodotti. Il reclamo deve contenere i dati del Cliente finale (nome, indirizzo postale, numero di telefono), i dettagli dei Prodotti a cui si riferisce il reclamo, una descrizione precisa del difetto riscontrato, corredata da fotografie e dall'indicazione della data in cui è stato riscontrato il difetto. Il reclamo deve essere accompagnato dalla presente carta di garanzia e da una fotocopia della prova d'acquisto dei Prodotti contestati, altrimenti il reclamo sarà respinto. In caso di richiesta incompleta, il Produttore ne chiederà il completamento.
2. La garanzia copre solo il diritto al ripristino del prodotto tramite riparazione.
3. Il Produttore informerà il Cliente finale dell'accettazione o del rifiuto del reclamo entro 7 giorni lavorativi dal ricevimento della notifica completa del reclamo. Se il reclamo viene accettato, il Produttore inviterà il Cliente finale a spedire i Prodotti, inviando un'autorizzazione (documento SRO) per la restituzione dei Prodotti rilasciata dal personale del Servizio Clienti del Produttore. Il Cliente finale è tenuto, a proprie spese, a disinstallare i Prodotti e a restituirli al Produttore nell'imballaggio originale o in uno equivalente, in modo che non si verifichino danni durante il trasporto. Il costo del trasporto dei Prodotti fino ai locali del Produttore sarà a carico di quest'ultimo, a condizione che il trasporto organizzato dal Cliente corrisponda alle tariffe di mercato.
4. Al ricevimento dei Prodotti che si qualificano per un reclamo, il Produttore riparerà i Prodotti entro 14 giorni (lavorativi) dal ricevimento dei Prodotti. Nel caso in cui sia necessario importare pezzi di ricambio per completare la riparazione, il termine per eliminare il difetto potrà protrarsi fino ad un massimo di 30 giorni lavorativi, previa comunicazione al Cliente finale di una nuova data per la eliminazione del difetto.
5. Alla comunicazione da parte del Produttore della disponibilità dei Prodotti riparati, il Cliente finale è tenuto a ritirarli immediatamente. Il costo della consegna dei Prodotti al Cliente finale sarà a carico del Produttore, a condizione che il trasporto organizzato dal Cliente corrisponda alle tariffe di mercato. Il Produttore non è obbligato a installare i Prodotti. Il Produttore non è tenuto ad effettuare e sostenere i costi di reinstallazione dei Prodotti dopo la riparazione. Il Cliente finale dovrà dare riscontro dell'eliminazione o meno del difetto entro 14 giorni. Decorso tale periodo senza comunicazioni da parte del Cliente finale, la riparazione verrà considerata come perfezionata.
6. Se nel corso della riparazione, Prodotti inizialmente qualificati come coperti dalla garanzia, il Produttore riscontra un danno escluso dall'ambito della stessa, il Produttore, prima di intraprendere i lavori a spese del Cliente finale, lo informerà dell'importo dei costi di riparazione stimati e intraprenderà ulteriori attività solo dopo aver ottenuto il consenso del Cliente finale ad addebitargli tali costi.
7. La responsabilità del Produttore ai sensi della garanzia è esclusa se:
  - a) I Prodotti vengono utilizzati in modo non conforme alla loro destinazione d'uso o alle istruzioni per l'uso, in particolare quando il difetto è il risultato di un uso improprio dei Prodotti,
  - b) il difetto dei Prodotti è stato causato da un montaggio inadeguato,
  - c) il montaggio, l'installazione e la manutenzione dei Prodotti non sono stati eseguiti da professionisti o da personale tecnicamente qualificato o in conformità alle istruzioni per l'uso,
  - d) il difetto dei Prodotti è stato causato dal trasporto, a meno che il Produttore non si sia assunto la responsabilità dello stesso e che il Cliente finale non accetti la consegna con riserva, in considerazione della non integrità dei colli,
  - e) i difetti dei Prodotti sono sorti a causa di eventi fortuiti, in particolare per cause di forza maggiore,
  - f) i difetti dei Prodotti sono il risultato di riparazioni o interventi di persone non autorizzate dal Produttore,
  - g) i Prodotti non sono stati acquistati direttamente dal Rivenditore.
8. Nel caso in cui si verifichi un presupposto che condiziona l'esclusione della responsabilità del Produttore ai sensi della garanzia, le spese di consegna dei Prodotti al Produttore e le spese di trasporto dei Prodotti al Cliente finale dopo la riparazione saranno a carico del Cliente finale.

La presente garanzia non esclude, limita o sospende i diritti del Cliente finale previsti da disposizioni inderogabili di legge, compresi i diritti nei confronti del rivenditore in garanzia per difetti. Il presente certificato di garanzia viene fornito al Cliente finale dal Rivenditore ed è parte integrante delle istruzioni per l'uso dello schermo di proiezione.

## 01 INTRODUCTION



Ce manuel fait partie intégrante du produit et sa lecture et compréhension sont d'une importance fondamentale pour la sécurité. Il décrit les normes et modalités d'utilisation qui permettront au client d'utiliser l'écran correctement et en toute sécurité. Le manuel doit toujours accompagner le produit et doit être conservé avec soin dans un lieu adapté afin d'en garantir l'intégrité physique, tout en permettant d'y accéder facilement par toute personne autorisée à le consulter. Tout utilisateur du produit est responsable de la conservation de ce manuel. L'utilisateur est également responsable du contrôle du bon fonctionnement de l'écran et de la réparation ou substitution des pièces sujettes à l'usure et pouvant provoquer des dommages. Les images contenues dans ce manuel ont pour but de décrire de manière détaillée les fonctions, caractéristiques ou procédures. Toutefois elles peuvent différer selon le type modèle représenté, ceci n'enlève rien au sens descriptif de l'image.

## 02 NORMES GÉNÉRALES DE SÉCURITÉ



**ATTENTION :** Consignes importantes de sécurité. Ne pas respecter les consignes relatives à l'installation peut engendrer des blessures graves. S'assurer toujours d'avoir bien lu et compris les instructions et les avertissements contenus dans le manuel avant de commencer à utiliser le produit et d'effectuer toute intervention d'entretien.

-L'installation de l'écran au dessus des zones de passage est strictement interdite Contrôler, avant et pendant l'utilisation, que l'écran ne génère pas de situations dangereuses.

- Ne modifier, enlever ou endommager aucun élément ou partie de l'écran.

- Ne jamais réaliser d'opérations de maintenance sur l'écran lorsque le moteur est allumé (couper l'alimentation pour une sécurité renforcée).

- Obligation de déconnecter l'alimentation lors du nettoyage, la maintenance ou lorsque de remplacement d'une pièce

- Interdire l'utilisation de l'écran aux enfants. Ne pas initier les enfants à l'utilisation de l'écran.

Chaque écran est couvert par une garantie, dont la validité dépend du respect et de l'exécution des instructions contenues dans ce manuel.

**ATTENTION:** Le kit d'installation pour chaque écran, ne contiennent pas de vis et chevilles en plastique pour fixation aux murs / plafonds. L'installateur est responsable du choix approprié des vis et des chevilles, selon les différents types de matériaux des murs ou des plafonds pour lequel vous souhaitez installer l'écran. Une installation incorrecte peut compromettre la sécurité des personnes qui utiliseront ce produit, le fabricant ne pourra être tenu responsable des dommages causés aux choses ou aux personnes suite à une installation et à un usage incorrects de l'écran, et à un mauvais entretien.

Le fabricant n'est pas responsable des problèmes liés à des erreurs d'installation.

Si nécessaire, contacter notre bureau technique pour tout éclaircissement.

L'installation de l'écran, les raccordements électriques et les contrôles en cas de mauvais fonctionnement des enrouleurs motorisés doivent être effectués par le revendeur autorisé ou par un technicien qualifié connaissant les risques liés à l'électricité. Le câble de raccordement ne peut pas être substitué. Si le câble est endommagé, l'écran doit être substitué. La modification des fins de course ou le perçement de la protection située au-dessus des orifices entraînent l'annulation de la garantie.

UNE FOIS LE MONTAGE DE L'ÉCRAN SUR LES SUPPORTS TERMINÉ, IL EST IMPÉRATIF DE VÉRIFIER QU'IL EST PARFAITEMENT HORIZONTAL AVANT DE L'UTILISER.



## 03 AVERTISSEMENTS ET PRÉCAUTIONS D'EMPLOI ET INSTALLATION

Il est recommandé d'utiliser les écrans dans des locaux couverts, dans des conditions de température (20 - 25 °C) et d'humidité normales.

Il est fortement déconseillé d'installer les écrans de projection vidéo devant des fenêtres ou de les utiliser près de sources fortes de lumière, à proximité des sources de chaleur telles que des poêles, cheminés ou conduits proches des systèmes de climatisation, à la fois pour l'air chaud et froid, tout manquement au respect de ces interdictions pourra causer des déformations ou un étirement permanent du tissu de projection.

Des précautions particulières doivent être adoptées en cas d'utilisation à l'extérieur, en particulier en ce qui concerne les températures et la poussière.

L'utilisation de l'écran motorisé en extérieur nécessite d'adopter des précautions spécifiques dont :

- 1- Protection du / des câble(s) d'alimentation du moteur contre les radiations UV à l'aide de conduites ou gaines adaptées à une installation en extérieur.
- 2- Utilisation de joints de câbles en tant que protection contre l'eau et l'humidité dans les raccords avec les boîtiers de jonction ou de dérivation.
- 3- Utilisation de commutateurs de classe de protection IP55 ou supérieure (le commutateur de série du produit n'est pas conforme pour un usage en extérieur).
- 4- Couvrez et protégez l'écran contre le contact direct avec de l'eau ou du liquide

L'écran étant composé d'une toile de projection (PVC), il tend à se charger électrostatiquement, et donc une présence excessive de poussière dans l'environnement de projection peut entraîner une dégradation des qualités optiques de la toile à cause du dépôt de poussières par attraction électrostatique (voir aussi Nettoyage de la toile de projection).

Veillez à ne pas fixer vos écrans de projection à proximité d'une source de chaleur pour éviter des dégâts sur la surface de projection.

L'utilisation de l'écran enroulable prévoit l'ouverture complète du tissu (descente) et après son utilisation avec un projecteur, la fermeture complète du tissu (montée). L'ouverture et la fermeture complètes (descente-montée) de l'écran sont appelées « cycle ».

Les écrans enroulables motorisés sont conseillés pour des utilisations à « cycle » unique, c'est-à-dire qu'un laps de temps considérable s'écoule entre deux cycles. On n'a pas prévu la possibilité d'effectuer des ouvertures et des fermetures continues.

Les moteurs utilisés sur les écrans sont munis de systèmes de blocage thermique qui permettent de ne pas surchauffer le moteur afin d'éviter les dommages permanents. Le blocage thermique s'active après un certain nombre de cycles d'utilisation qui varie en fonction du type de moteur et du type d'écran (normalement entre 3 et 6 cycles). On précise quoiqu'il en soit que la chaleur émise par le moteur est transmise au rouleau et donc au tissu enroulé sur ce dernier. La surchauffe du tissu peut provoquer des déformations ou des allongements non homogènes permanents entraînant des désalignements du fond ou des déformations du tissu.

Pour éviter ces situations, il ne faudrait pas du tout utiliser l'écran au-delà de 3 cycles complets d'utilisation (montée-descente). Au bout de 3 cycles d'utilisation continue ou rapprochée, il faudra attendre 40 minutes avec l'écran en position ouverte (tissu déroulé) pour permettre le refroidissement du moteur et des composants structuraux correspondants, avant une nouvelle utilisation.

**ATTENTION :** Ne pas permettre aux enfants de jouer avec les dispositifs de commande fixes. Tenir les télécommandes hors de portée des enfants.

Observer l'écran en mouvement et éloigner toute personne de l'écran tant qu'il n'est pas complètement refermé.

Ne pas s'accrocher ou se balancer, ne pas ajouter ou appliquer tout objet à la toile ou au fond, ou de modifier la structure de l'écran, car cela pourrait provoquer des dommages à l'écran, ainsi qu'aux choses et aux personnes. Nous rappelons que les bases sont structurées pour une utilisation interne et pour des écrans allant jusqu'à 4 m. Toute autre installation devra être faite en mettant le produit en sécurité afin d'empêcher qu'il ne se renverse ou qu'il cède.

Ne pas installer les écrans de projection vidéo devant des fenêtres.

Ne pas installer les écrans de projection vidéo à proximité des sources de chaleur telles que les poêles, les cheminées ou conduits proches des systèmes de climatisation, à la fois pour l'air chaud et froid.

Placez l'écran parfaitement à l'horizontal.



## ÉLIMINATION DU PRODUIT



Comme pour les opérations d'installation, au terme de la vie du produit, les opérations de démontage doivent être effectuées par un technicien qualifié.

Ce produit est composé de différents types de matériaux : certains peuvent être recyclés, d'autres doivent être éliminés. Informez-vous sur les systèmes de recyclage et d'élimination des déchets prévus par les réglementations en vigueur sur votre territoire pour cette catégorie de produits.

Comme l'indique le symbole ci-contre, il est interdit de jeter ce produit dans les déchets domestiques. Effectuez donc un "tri sélectif" pour le traitement des déchets, selon les méthodes prévues par les réglementations en vigueur sur votre territoire, ou bien ramenez le produit chez le vendeur au moment de l'achat d'un nouveau produit équivalent. Attention: les réglementations locales peuvent prévoir des sanctions en cas d'élimination abusive de ce produit

## 04 CARACTÉRISTIQUES GÉNÉRALES DU PRODUIT

Le produit écran est fabriqué en conformité avec les dispositions des directives CE: 2014-35-CE LDV Basse tension  
 2014-30-EU EMC Compatibilité électromagnétique  
 2014-53-CE Équipement radio  
 2009-125-CE CONSOMMATION Ecodesign  
 2015-863-EC ROHS Substances dangereuses  
 2012-19-CE RAEE Traitements des déchets  
 2001-95-CE SÉCURITÉ Produits sûrs

L'écran décrites dans ce manuel doit être utilisé exclusivement comme un support pour la projection vidéo. Toute autre utilisation non couverte par le présent manuel, il n'est pas consenti.

L'écran contient un ou plusieurs toile/feuilles de projection en PVC plastifié sans cadmium or Fil de verre (filament continue) plastifiées PVC imprégné, chaque toile peut être classé dans la catégorie:

- M1 o M2 selon la réglementation française (LNE Laboratoire national de métrologie et d'essais – French Companies CREPIM – Efectis France);
- B1 o B2 selon la réglementation Allemand (Exova Warringtonfire Laboratory of Frankfurt am Main);
- UL94HB selon la réglementation Italien (Italian Interior Ministry).

Étant donné qu'il n'existe encore au niveau européen aucune harmonisation entre les différentes réglementations nationales de classification, nous précisons que la classe M1 française correspond à matériau non inflammable et la classe M2 correspond à matériau difficilement inflammable. Les toile/feuilles de protection contenues et utilisées sur les écrans sont principalement composés de PVC plastifié ou de fibres de verre, ces tissus sont sensibles à la température et à l'humidité, ainsi la tolérance dimensionnelle acceptée est d'1 % sur chaque dimension.

Les tolérances sur les profils en aluminium utilisés sont de +/- 2 mm.

les tolérances sur l'enveloppe totale sont de:

- +/- 3 mm jusqu'à 2500 mm d'enveloppe totale;
- +/- 5 mm jusqu'à 4000 mm d'enveloppe totale;
- +/- 10 mm jusqu'à 8000 mm d'enveloppe totale;
- +/- 20 mm jusqu'à 16000 mm d'enveloppe totale;
- +/- 30 mm jusqu'à 24000 mm d'enveloppe totale.

## 05 NETTOYAGE ET ENTRETIEN

L'écran et les toiles de projection des écrans sont délicats : il faut donc prêter une attention particulière et suivre les instructions suivantes pour le nettoyage.

Ne jamais utiliser de solvants, produits chimiques ou abrasifs, ni d'outils pointus pour nettoyer la surface.

Éviter tout contact avec d'autres matériaux (peintures, encres, etc.) car il pourrait être impossible de les éliminer de la surface de la toile.

**TOILES DE PROJECTION:** Pour nettoyer la toile de projection, utiliser un chiffon doux, propre, humidifié, avec un détergent à base neutre ou de l'alcool si nécessaire. Étant donné qu'après le nettoyage la toile pourrait se charger d'électricité statique à cause du frottement du chiffon, il est conseillé de passer, avec un chiffon propre, un liquide antistatique sur la toile afin d'éviter que la poussière ne soit à nouveau attirée par l'écran.

**PROFILS:** Pour nettoyer le caisson, utiliser un chiffon doux propre et un détergent non agressif si nécessaire.

**PROFILS VELOUTÉS:** Pour nettoyer le profil, dépeussier en utilisant un chiffon doux et propre, ou bien une brosse à poils doux et antistatiques. Il n'est permis d'utiliser une brosse montée sur un aspirateur que si les poils sont doux et parfaitement propres.

**STRUCTURE ET BRIDES DE FIXATION:** Il est obligatoire de vérifier régulièrement l'état du produit et la tenue des brides de fixation. En cas de déformations, lacérations ou de fléchissements structurels des brides, vis et autres éléments qui composent le produit, il est obligatoire de mettre immédiatement en sécurité la zone où l'écran est installé, afin d'éviter tout type de dommage aux choses ou aux personnes. Ensuite, il est obligatoire de procéder à la substitution immédiate du composant défectueux et à la réparation du produit.

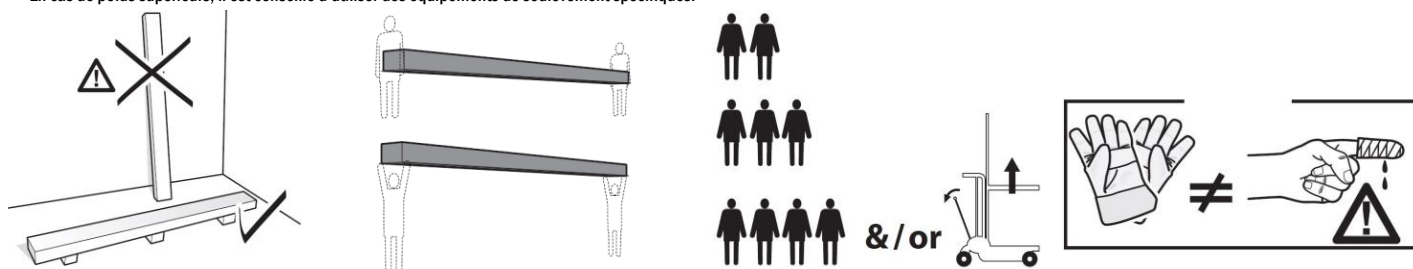
## 06 DÉSEMBALLAGE DE L'ÉCRAN ET MANUTENTION DU PRODUIT

S'assurer qu'aucune partie de l'écran n'a été endommagée pendant le transport. En cas d'anomalie, communiquer immédiatement le problème au revendeur. Vérifier que tous les accessoires sont compris, en fonction du type d'écran, selon la instructions

### Écran enroulable motorisé ou Radio Intégré

- 1 kits avec 2 supports pour l'installation (pour les écrans allant jusqu'à une largeur de 2.5m)
  - 1 kits avec 3 supports pour l'installation (pour les écrans d'une largeur supérieure à 2.5m)
  - 1 commutateur unipolaire 10°, 250V homme présent avec flèches de direction, calotte de montage mural comprise
  - 1 émetteur à radio fréquence (pour écrans version radio intégrée)
  - 1 clé hexagonale en plastique
  - 1 livret d'instructions
- (ne sont pas comprises les vis et chevilles pour la fixation au mur)

**ATTENZIONE** ne pas utiliser de cutter ou d'objets pointus pour ouvrir l'emballage, utiliser toujours des gants de protection pendant l'ouverture de l'emballage et l'installation ou la manutention du produit. Manutentionner et installer le produit avec l'aide d'au moins deux, trois ou quatre personnes en fonction du poids du produit (valeurs de référence de charge par personne : 25kg hommes - 15kg femmes). En cas de poids supérieurs, il est conseillé d'utiliser des équipements de soulèvement spécifiques.





# FRANCAIS – Manuel d'installation et d'utilisation de l'écran de projection

## 07 ISTRUCTIONS POUR L'INSTALLATION

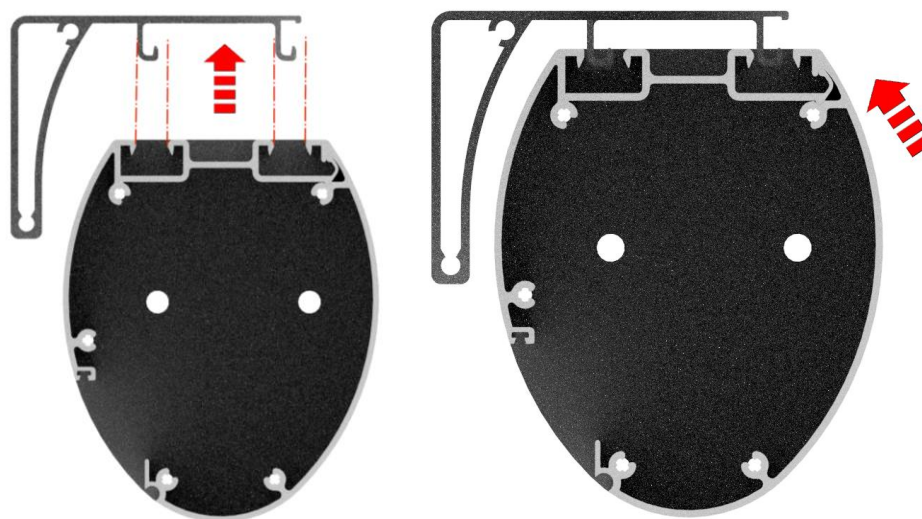
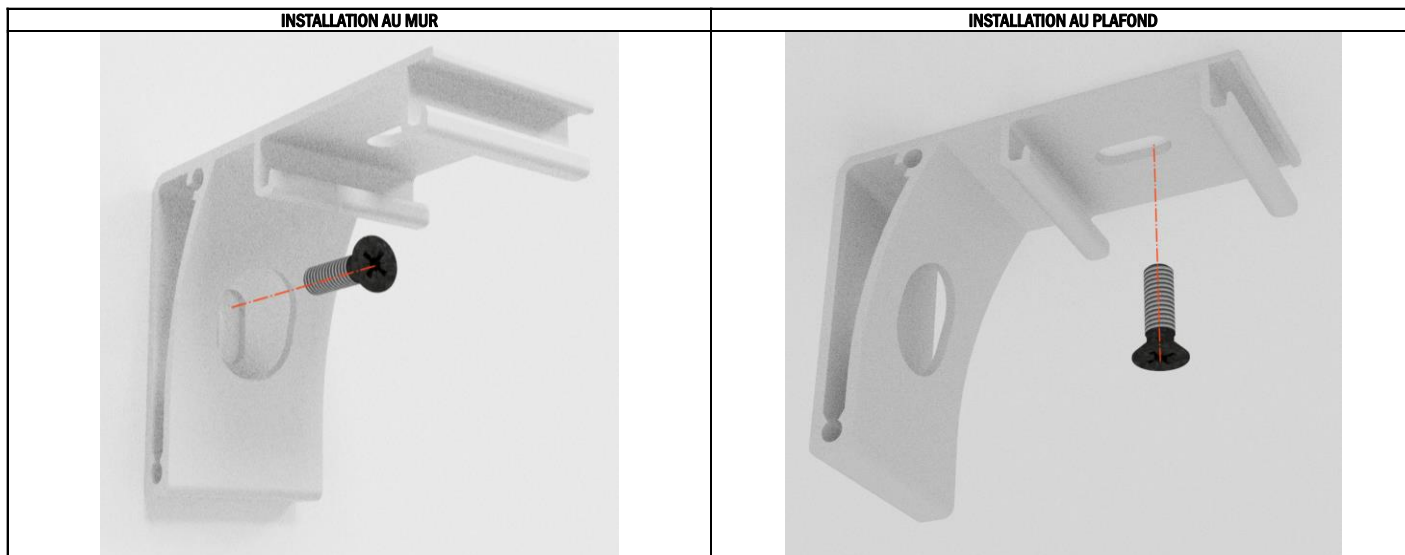


**ATTENTION:** Il est absolument interdit d'installer l'écran sur les murs mobiles ou les câbles instables, les supports doivent être appliqués sur des surfaces qui assurent dans le temps, votre distance. L'installation de l'écran doit être effectuée à l'aide de vis et de chevilles adaptées au poids et au type de paroi ou de plafond sur lesquels on souhaite fixer les supports. Avant de commencer l'installation, choisissez le type de cheville ou de fixation en suivant le schéma suivant :

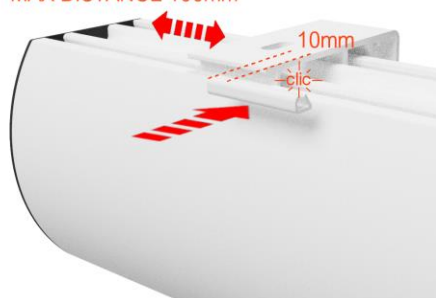
Écran d'une largeur max de (en cm) :	210	260	310	360	410
Poids total à considérer	Kg 22	Kg 26	Kg 33	Kg 36	Kg 41

### INSTALLATION AU MUR ET AU PLAFOND:

Installer l'écran comme les images en dessous de.



MAX DISTANCE 100mm



## 09 IDENTIFICATION DU TYPE DE MOTEUR – CARACTÉRISTIQUES – RACCORDEMENT ÉLECTRIQUE

Le type de moteur installé sur le produit est identifié sur l'étiquette reportant le logo CE appliquée sur chaque produit. À l'ouverture de l'emballage, veuillez contrôler l'étiquette et identifier le modèle correct du moteur afin d'effectuer l'installation et le câblage corrects de l'appareil. Au cas où la puissance du moteur ne correspondrait pas à la puissance du réseau électrique du lieu d'installation, veuillez contacter un électricien et vous munir d'un transformateur de courant et Hz adapté.



### RACCORDEMENT ÉLECTRIQUE:

Le câblage électrique doit respecter les normes CEI en vigueur. La norme CEI EN 60335-1 prévoit que le réseau d'alimentation doit être pourvu d'un dispositif de déconnexion omnipolaire avec une distance d'ouverture des contacts d'au moins 3 mm. N'utiliser pour la commande de l'écran que le commutateur fourni avec l'appareil, ou un modèle équivalent, en suivant les indications du schéma de raccordement (si le moteur est monté sur la gauche, les couleurs des fils doivent être inversés, donc déroulement = marron, enroulement = noir). Le commutateur doit être monté de manière à pouvoir l'actionner tout en ayant l'écran sous les yeux et à une hauteur comprise entre 1,5 et 1,8 m de hauteur du sol. Pour raccorder les câbles au commutateur fourni, enlever les plaques frontales pour accéder aux commutateurs de blocage/déblocage.

### ATTENTION:

L'exécution correcte des raccordements électriques, dans le règle de l'art et dans le respect des réglementations en vigueur, est importante pour la prévention des accidents et afin de garantir un fonctionnement correct et durable de l'écran.

Avant d'effectuer toute opération sur les parties électriques, s'assurer qu'il n'y a pas de tension.

Le moteur des écrans pourvus de caisson est situé sur la droite de l'écran vu de face (sur demande, il est possible de l'avoir sur la gauche). Ne jamais relier deux moteurs ou plus à un même commutateur sans une commande de groupe, ou bien deux commutateurs sur le même moteur.

### NICE 230V 50Hz

#### Caractéristiques moteur:

Fréquence: ~Hz50

Puissance: 120W

Couple: 10Nm

Vitesse: 17Rpm

Cycle de service : S2 4 min

Longueur câble: 3m

Résistance mécanique: conforme norme EN14202

Temp. de fonctionnement: de -20 à +55 °C

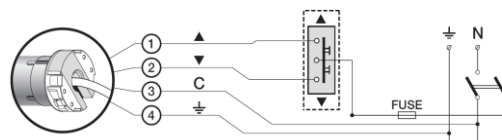
Fréquence: 433.92 MHz

Niveau de pression sonore pondérée : LpA ≤ 70 dB(A)

Classe de protection du moteur : IP44

#### Raccordement pour chaque moteur :

- 1 Marron (Montee)
- 2 Noir (Descente)
- 3 Bleu (Commun)
- 4 Jaune Vert (Terre)



### RACCORDEMENT ÉLECTRIQUE:

Le câblage électrique doit respecter les normes CEI en vigueur. La norme CEI EN 60335-1 prévoit que le réseau d'alimentation doit être pourvu d'un dispositif de déconnexion omnipolaire avec une distance d'ouverture des contacts d'au moins 3 mm. Pour chaque moteur (par ex. interrupteur prise etc.) En cas de besoin, ce dispositif garantit une déconnexion rapide et sûre de l'alimentation électrique. Utiliser des câbles pour la connexion comme l'illustre l'image.

**ATTENTION:** l'exécution correcte des raccordements électriques, dans le règle de l'art et dans le respect des réglementations en vigueur, est importante pour la prévention des accidents et afin de garantir un fonctionnement correct et durable de l'écran.

Avant d'effectuer toute opération sur les parties électriques, s'assurer qu'il n'y a pas de tension.

Le moteur des écrans pourvus de caisson est situé sur la droite de l'écran vu de face (sur demande, il est possible de l'avoir sur la gauche).

L'actionnement se fait à travers une radiocommande fournie de série.

### NICE 230V 50Hz + Interface TT1N

#### Caractéristiques moteur:

Fréquence: ~Hz50

Puissance: 120W

Couple: 10Nm

Vitesse: 17Rpm

Cycle de service : S2 4 min

Longueur câble: 3m

Résistance mécanique: conforme norme EN14202

Temp. de fonctionnement: de -20 à +55 °C

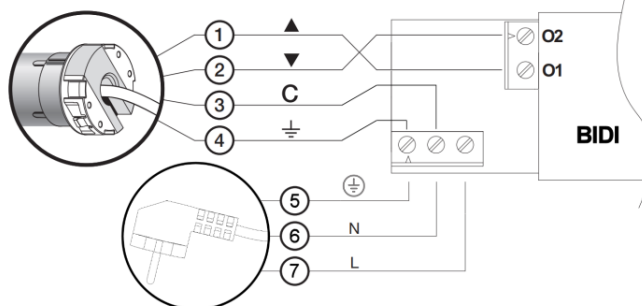
Fréquence: 433.92 MHz

Niveau de pression sonore pondérée : LpA ≤ 70 dB(A)

Classe de protection du moteur : IP44

#### Raccordement pour chaque moteur :

- 5 Jaune Vert (Terre 230V)
- 6 Marron (Phase 230V)
- 7 Bleu (Neutre 230V)



## 10 MODIFIER DES FINS DE COURSE (procédure déjà effectuée en usine)



### ATTENTION: À LIRE AVANT D'EFFECTUER TOUT RÉGLAGE

Les réglages indiqués dans le tableau suivant ne peuvent être effectués que par un technicien autorisé et spécialisé. Le non respect des procédures décrites peut provoquer des dommages au produit, pour lesquels la garantie ne sera pas valable. Le réglage des fins de course varie en fonction de la position du moteur (gauche colonne A ou droite colonne B) et en fonction de la chute de la toile (antérieure ligne D ou postérieure ligne C). Le réglage s'effectue à l'aide d'une clé hexagonale de 4 mm (fournie).

**LES VIS POUR LE RÉGLAGE DES FINS DE COURSE SE TROUVENT DANS LA PARTIE INFÉRIEURE DE L'ÉCRAN (ATTENTION DES TROUS COUVERT PAR DE L'ADHÉSIF DE GARANTIE, NE PAS ENLEVER TOTALEMENT L'ADHÉSIF, LAISSEZ SEULEMENT LE TROU LIBRE - voir l'image sur le côté latéral) ET NON DANS LES FLANCS DROIT OU GAUCHE. NE PAS RÉGLER LES FINS DE COURSE AVEC LE BOUTON DE MONTÉE OU DESCENTE ACTIONNÉ.**

### RISQUES

LA FIN DE COURSE SUPÉRIEURE DOIT TOUJOURS ÊTRE RÉGLÉE À 2mm DU CAISSON (voir image à droite).

La fin de course est réglée de manière à permettre que la toile de projection reste enroulée sur au moins 1,5 tours autour du rouleau afin d'éviter le décrochage de la toile. Une attention particulière doit être accordée en cas de réglage des fins de course au-delà du réglage d'usine de déroulement de la toile de projection. Un tel réglage est admis jusqu'à 3 cm sans risque de dommages pour le produit. Un mauvais réglage des fins de course peut provoquer:

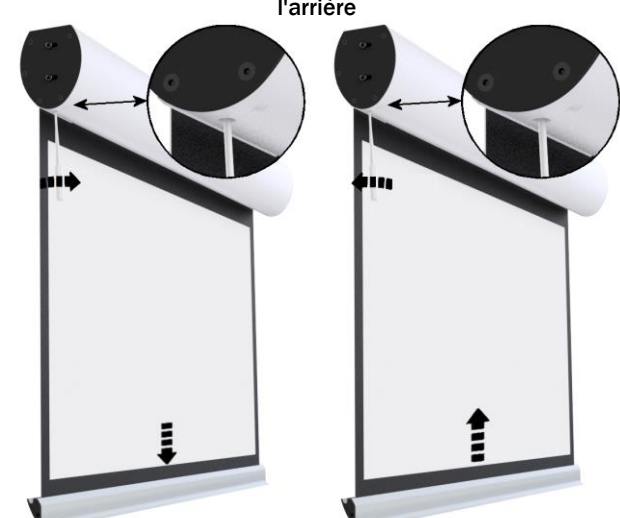
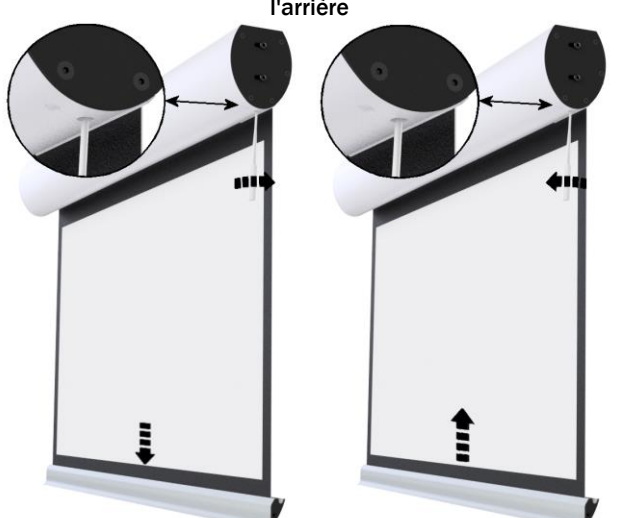
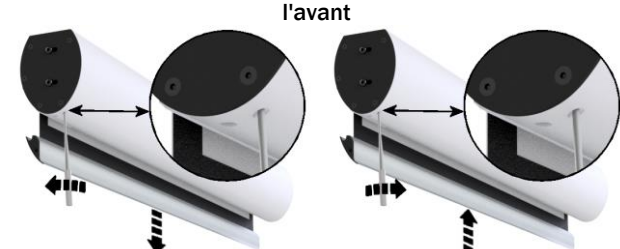
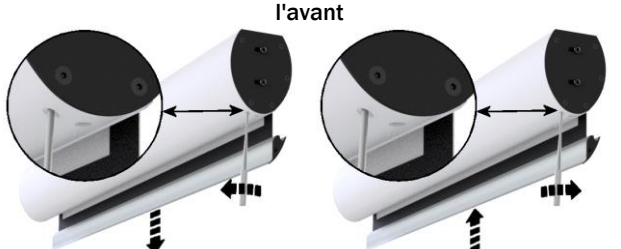
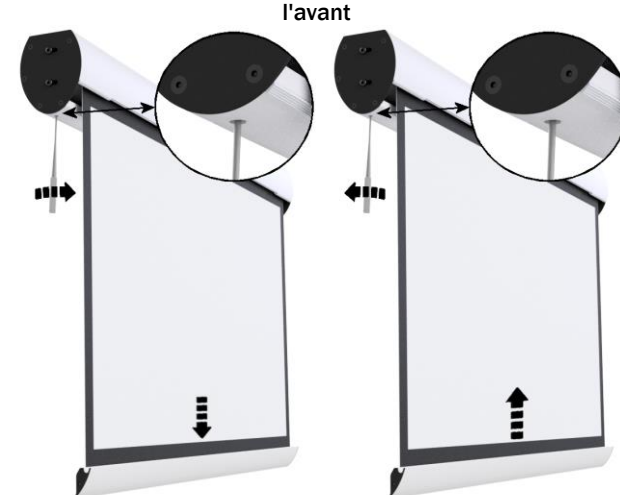
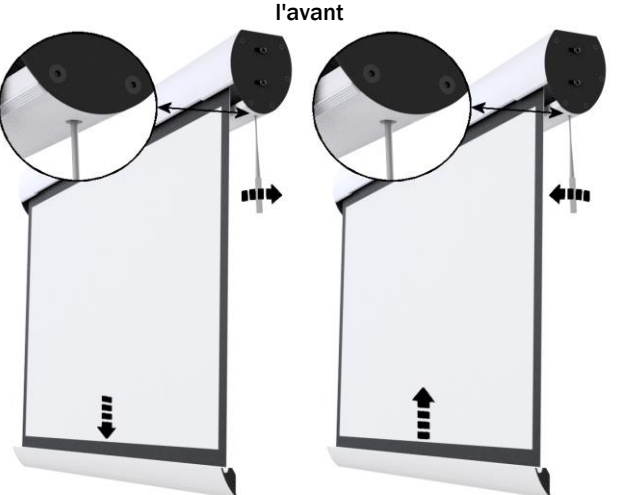


- Décrochage de la toile de projection du rouleau.
- Enroulement en sens contraire de la toile de projection avec endommagement de la surface de l'écran et des mécanismes d'enroulement.
- Rupture de la soudure du bord noir en bas (écrans avec bord).
- Effort excessif du moteur avec risque d'endommagement et de déclenchement de la résistance thermique contenue dans celui-ci.
- Enroulement excessif du système de réglage des fins de course et rupture de la partie mécanique.

### GARANTIE

Nous rappelons aux opérateurs qu'en cas de modification des protections et d'endommagement dû à un réglage incorrect, les interventions de réparation seront considérées hors garantie.



10 RÉGLAGE DES FINS DE COURSE NICE

		A - Moteur à gauche	B - Moteur à droit (standard)
Déroutement par l'arrière (Standard) - C	<p>La limite d'extrémité inférieure est réglable par le trou situé à l'arrière</p> 	<p>La limite d'extrémité inférieure est réglable par le trou situé à l'arrière</p> 	
	<p>La limite d'extrémité supérieure est réglable par le trou situé à l'avant</p> 	<p>La limite d'extrémité supérieure est réglable par le trou situé à l'avant</p> 	
Déroutement par le devant - D	<p>La limite d'extrémité inférieure est réglable par le trou situé à l'avant</p> 	<p>La limite d'extrémité inférieure est réglable par le trou situé à l'avant</p> 	
	<p>La limite supérieure est réglable par le trou situé à l'arrière</p> 	<p>La limite supérieure est réglable par le trou situé à l'arrière</p> 	

## 12 CARTE DE GARANTIE - CONDITIONS DE GARANTIE

Adeo Screen Sp. z o.o., dont le siège se trouve à Złotoryja, rue B. Krzywoustego 31, 59-500 Złotoryja (ci-après : « **le Fabricant** ») garantit le bon fonctionnement de l'écran de projection/appareil (ci-après : « **les Biens** ») pendant une période de 24 mois à compter de la date de la facture d'achat/du reçu émis par le détaillant des Biens, c'est-à-dire l'entité qui a acheté les Biens directement auprès du Fabricant dans le cadre de ses activités (ci-après : « **le Détaillant** »). Les droits de garantie à l'encontre du Fabricant sont dévolus au client final, c'est-à-dire à la personne qui a acheté les Biens auprès du Détaillant (ci-après : « **le Client final** »).

Les Biens doivent être utilisés conformément au mode d'emploi fourni, aux règles de santé et de sécurité, aux dispositions relatives à la lutte contre l'incendie et aux autres législations généralement applicables. Les défauts des Biens révélés pendant cette période d'utilisation seront éliminés par le service du fabricant situé en République de Pologne, selon les principes décrits ci-dessous.

1. Les réclamations doivent être envoyées à l'adresse électronique du Fabricant (info@adeoscreen.com) ou par courrier postal (rue Bolesława Krzywoustego 31, 59-500 Złotoryja) immédiatement, mais au plus tard dans les 7 jours suivant la date à laquelle les défauts des Biens ont été constatés. La réclamation doit contenir les coordonnées du Client final (prénom et nom, adresse postale, numéro de téléphone), les détails des Biens faisant l'objet de la réclamation, une description précise du défaut constaté, accompagnée de photographies et d'une indication de la date à laquelle le défaut a été constaté. La réclamation doit être accompagnée de cette carte de garantie et d'une photocopie de la preuve d'achat des Biens faisant l'objet de la réclamation, faute de quoi la réclamation sera refusée. En cas de demande incomplète, le Fabricant demandera un complément.
2. La garantie couvre uniquement le droit de demander la réparation du produit.
3. Le Fabricant informera le Client final de l'acceptation ou du refus de la réclamation dans les 7 jours ouvrables suivant la réception de la notification complète de la réclamation. Si la réclamation est acceptée, le Fabricant demandera au Client final de renvoyer les Biens, en envoyant une autorisation (document SRO) pour le retour des Biens délivrée par le personnel du Service clientèle du Fabricant. Le Client final est tenu, à ses propres frais, de désinstaller les Biens et de les renvoyer dans les locaux du Fabricant dans l'emballage d'origine ou dans un emballage équivalent afin qu'aucun dommage ne se produise pendant le transport. Les frais de transport des Biens jusqu'aux locaux du Fabricant sont pris en charge par le Fabricant, pour autant que le transport organisé par le Client corresponde aux tarifs du marché.
4. Dès réception des Biens faisant l'objet d'une réclamation, le Fabricant les réparera dans un délai de 14 jours (ouvrables) à compter de la réception des Biens. Le délai de réparation du défaut peut être prolongé du temps nécessaire à l'importation des pièces de rechange nécessaires, mais en tout état de cause pas plus de 30 jours ouvrables. Dans ce cas, le Fabricant informe le Client final de la prolongation de la période de réparation due à la nécessité d'importer des pièces de rechange et fixe une nouvelle date pour l'élimination du défaut.
5. L'élimination du défaut ou de la défectuosité est confirmée par le Client final. La constatation de l'élimination du défaut, ainsi que le refus d'une telle constatation, ont lieu au plus tard 14 jours après la date de la notification de la réparation par le Fabricant au Client final. Le fait que le Client final ne procède pas aux opérations de réception dans le délai de réception susmentionné pour éliminer les défauts est réputé constituer une élimination correcte des défauts. Une fois l'élimination du défaut constaté, le Client final est tenu de récupérer immédiatement les Biens auprès du Fabricant. Les frais de livraison des Biens au Client final sont à la charge du Fabricant, à condition que le transport organisé par le Client corresponde aux tarifs du marché. Le Fabricant n'est pas tenu d'installer les Biens. Le Fabricant n'est pas tenu d'effectuer et de prendre en charge les coûts de réinstallation des Biens après réparation.
6. Si, malgré la qualification des Biens pour une réclamation, le Fabricant constate, au cours de la réparation sous garantie, des dommages exclus du champ de la garantie, le Fabricant, avant d'entreprendre des travaux aux frais du Client final, informe ce dernier du montant des frais de réparation estimés et entreprend d'autres activités après avoir obtenu le consentement du Client final pour facturer ces frais à ce dernier.
7. La responsabilité du Fabricant au titre de la garantie est exclue, si :
  - a) les Biens sont utilisés d'une manière non conforme à l'usage prévu ou au mode d'emploi, en particulier lorsque le défaut résulte d'une mauvaise utilisation des Biens,
  - b) un défaut des Biens s'est produit lors de l'assemblage,
  - c) l'assemblage, l'installation et l'entretien des Biens n'ont pas été effectués par des professionnels ou par du personnel techniquement qualifié ou conformément aux instructions du mode d'emploi,
  - d) un défaut des Produits s'est produit pendant le transport, dans la mesure où le Fabricant n'est pas responsable du transport et que le Client final n'accepte pas la livraison avec réserve en raison du manque d'intégrité de l'envoi,
  - e) les défauts des Biens sont le résultat d'un cas fortuit, notamment d'un cas de force majeure,
  - f) les défauts des Biens résultent de réparations ou d'interventions effectuées par des personnes non autorisées par le Fabricant,
  - g) les Biens n'ont pas été achetés directement auprès du Détaillant.
8. En cas de survenance d'une prémisses conditionnant l'exclusion de la responsabilité du Fabricant au titre de la garantie, les frais de livraison des Biens au Fabricant et les frais de transport des Biens au Client final après la réparation sont à la charge du Client final.

Cette garantie n'exclut pas, ne limite pas et ne suspend pas les droits du Client final en vertu des dispositions légales impératives, y compris les droits à l'encontre du Détaillant au titre de la garantie pour les vices.

Cette carte de garantie est fournie au Client final par le Détaillant et fait partie intégrante du mode d'emploi de l'écran de projection.

## 01 EINFÜHRUNG



Dieses Handbuch ist integraler Teil des Produkts, und dessen Lektüre und Verständnis sind von wesentlicher Bedeutung für die Sicherheit. Darin sind die Normen und Verwendungsmodalitäten beschrieben, die dem Kunden eine richtige und sichere Nutzung der Projektionswand ermöglichen. Das Handbuch muss stets beim Produkt verbleiben und ist sorgfältig an einem geeigneten Ort aufzubewahren, um seine Unversehrtheit zu gewährleisten und allen berechtigten Personen zur Hinzuziehung zugänglich zu sein. Jeder Nutzer des Produkts ist für den Schutz des Handbuchs verantwortlich. Außerdem ist er für die Überprüfung der Funktionstüchtigkeit der Projektionswand und für alle Reparaturen und den Austausch von abgenutzten Teilen, die Schäden verursachen könnten.

Die in diesem Handbuch enthaltenen Bilder dienen dazu, Funktionen, Eigenschaften und Verfahren im Detail zu zeigen. Trotzdem können sie sich je nach dargestelltem Modell unterscheiden, wobei sich jedoch die Bedeutung des Bildes im Hinblick auf den beschreibenden Zweck nicht ändert

## 02 ALLGEMEINE SICHERHEITSVORSCHRIFTEN



**ACHTUNG:** Wichtige Sicherheitshinweise. Diese Hinweise sind unbedingt zu beachten, da eine unsachgemäße Installation schwere Verletzungen verursachen kann. Lesen Sie die Anleitungen und Hinweise dieser Gebrauchsanleitung vor Verwendung des Produkts oder Durchführung jeglicher Art von Wartung und versichern Sie sich, dass Sie sie verstanden haben. Installation des Bildschirms über Durchgangszone ist streng verboten.

- Überprüfen Sie vor und während der Verwendung, dass die Projektionswand keine gefährlichen Situationen erzeugt.
- Keines der Elemente oder Teile der Projektionswand beschädigen oder entfernen.
- Niemals Wartungsarbeiten an der Leinwand bei eingeschaltetem Motor vornehmen (sicherheitshalber das Stromkabel ausstecken).
- Während der Reinigung, der Wartung oder beim Austausch von Teilen immer das Gerät von der Stromversorgung trennen.
- Das Produkt darf unter keinen Umständen von Kindern benutzt werden. Kinder dürfen sich der Projektionswand unter keinen Umständen nähern, solange diese sich bewegt.

Jede Projektionswand ist durch eine Garantie gedeckt, deren Gültigkeit von der tatsächlichen Einhaltung der Anleitungen in diesem Handbuch abhängt.

**ACHTUNG:** Eine falsche Installation kann die Sicherheit der Anwender des Produkts beeinträchtigen. Der Hersteller lehnt jegliche Haftung für Personen- bzw. Sachschäden ab, die auf unsachgemäße Benutzung, Montagefehler oder ungenügende Wartung zurückzuführen sind.

Der Hersteller haftet nicht für Probleme, die durch Installationsfehler verursacht werden.

Die Montage der Leinwand, die elektrischen Anschlüsse und die Überprüfungen bei Störungen der motorbetriebenen Wicklungen sind von einem hierzu befugten Händler oder von Fachpersonal durchzuführen, das Kenntnis von den Gefahren hat, die von elektrischer Energie ausgehen. Das Anschlusskabel kann nicht ersetzt werden. Bei Beschädigung des Kabels muss die gesamte Leinwand ausgetauscht werden. Eingriffe an den Endschaltern oder das Aufbrechen der angebrachten Siegel führen zu Garantieverlust. Bei Rückfragen wenden Sie sich bitte an unser technisches Büro.

**NACH DER MONTAGE DES BILDSCHIRMS AN DEN BÜGELN IST VOR DER VERWENDUNG SICHERZUSTELLEN, DASS DER BILDSCHIRM PERFEKT HORIZONTAL POSITIONIERT IST.**

## 03 HINWEISE UND VORSICHTSMASSNAHMEN FÜR DEN GEBRAUCH UND INSTALLATION

Die Leinwände sind für die Benutzung in Innenräumen unter normalen Temperatur- (20 - 25 °C) und Feuchtigkeitsbedingungen vorgesehen.

Es ist absolut verboten die Projektionsleinwände vor Fenstern zu installieren. Sie dürfen weder direkter Sonnenbestrahlung ausgesetzt sein noch in der Nähe von starken Lichtquellen, Wärmequellen (z. B. Öfen, Kamine oder Schornsteine) oder Klimaanlage (Warmluft oder Kaltluft) installiert werden. Bei Nichteinhaltung dieser Verbote könnte die Projektionsleinwand verformt oder permanent verzogen werden. Der Einsatz der motorisierten Leinwand im Außenbereich erfordert besondere Vorsichtsmaßnahmen:

- 1- Das/Die Stromzufuhrkabel des Motors mittels für den Außenbereich geeigneter Kabelkanäle oder Kabelmäntel vor UV-Strahlung schützen.
- 2- An den Anschlussstellen mit den Verbindungs- oder Abzweigungskästen wasserundurchlässige und feuchtigkeitsbeständige Kabeldurchführungen verwenden.
- 3- Nur Schalter mit Schutzart IP55 oder höher verwenden (der serienmäßig mitgelieferte Schalter ist nicht für den Außenbereich geeignet).
- 4- Bedecken und schützen Sie die Leinwand vor direktem Kontakt mit Wasser oder anderen Flüssigkeiten.

Da das Material, aus dem die Leinwand besteht (PVC), zur elektrostatischen Aufladung neigt, kann sich bei übermäßigem Staubanfall in der Umgebung durch die elektrostatische Anziehung dieser Staub auf der Leinwand ablagern und zu einer Beeinträchtigung ihrer optischen Eigenschaften führen (siehe auch Reinigung der Leinwand).

Leinwände dürfen niemals in der Nähe von Hitzequellen oder nahe Klimageräten installiert werden, da dies das empfindliche Projektionstuch beschädigen kann.

Eine Rollbildwand soll bei Verwendung stets komplett ausgerollt und nach Verwendung wieder ganz eingefahren werden. Dieser Prozess, des vollständigen heraus- und wieder hineinfahrens wird hier als ein "Zyklus" bezeichnet.

Die motorisierte Rollbildwand ist zur Verwendung in jeweils einem Zyklus konzipiert. Dies bedeutet, dass zwischen den Zyklen gewöhnlich eine beträchtliche Menge an Zeit vergeht. Das Verwenden der Projektionswand ist nicht zum ständigen Öffnen und Schließen in kurzen Intervallen vorgesehen.

Die in der Projektionswand verwendeten Motoren sind mit einem thermischen Überlastschutz ausgestattet. Dieser verhindert ein Überhitzen und Beschädigung des Motors. Die Aktivierung der Thermo-Schutzschaltung geschieht nach einer gewissen Anzahl an Zyklen. Die Anzahl der Zyklen variiert abhängig von der Art des Motors und Art und Größe der Projektionswand (gewöhnlich zwischen 3 bis 6 Zyklen). Bitte beachten Sie, dass die Abwärme des Motors auf die Welle übertragen wird und somit auf das Gewebe, welches auf der Welle gewickelt ist. Das Erhitzen des Gewebes kann in bleibenden Verformungen oder Dehnung bzw. Verzerrung resultierenden.

Um Beschriebenes zu vermeiden, ist dringlich davon abzuraten, die Projektionswand mit mehr als 3 vollständigen, aufeinanderfolgenden Zyklen (aufwärts-abwärts) zu verwenden. Nach 3 aufeinanderfolgenden oder nahe beieinander liegenden Zyklen müssen mindestens 40 Minuten mit ausgefahrener Projektionsfläche (ausgerolltes Gewebe) abgewartet werden, um vor dem erneuten Verwenden den Motor und entsprechende Bauteile abkühlen zu lassen.

**ACHTUNG:** Die Leinwand nicht gewaltsam von Hand herausziehen, da dadurch der Motor beschädigt oder der Bügelkasten abgerissen werden könnte.

Erlauben Sie Kindern nicht, mit den fest angebrachten Steuervorrichtungen zu spielen.

Beobachten Sie die Leinwand und halten Sie Personen davon fern, bis die Projektionswand völlig geschlossen ist.

Es ist verboten, die Bewegung der Leinwand zu blockieren, zu verhindern oder zu erzwingen, sich an der Leinwand oder an der unteren Schiene festzuhalten oder daran zu schaukeln, Gegenstände an der Leinwand oder an der unteren Schiene anzubringen oder die Struktur der Leinwand zu ändern, da dies zu Schäden am Aufwickelsystem und somit zu Personen- und Sachschäden führen kann.

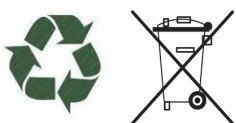
Es ist absolut verboten die Projektionsleinwände vor Fenstern zu installieren.

Es ist absolut verboten die Projektionsleinwände in der Nähe von Wärmequellen (z. B. Öfen, Kamine oder Schornsteine) oder Klimaanlage (Warmluft oder Kaltluft) zu installieren.

Positionieren Sie Leinwände perfekt waagrecht.



## PRODUKTENTSORGUNG



Produkt gilt, gilt auch am Ende der Lebensdauer für seine Entsorgung: sie ist von Fachpersonal vorzunehmen.

Dieses Produkt besteht aus verschiedenen Materialien: einige können wieder verwertet werden, andere sind zu entsorgen. Holen Sie Informationen über das in Ihrem Land geltende Recycling- und Entsorgungssystem für diese Produktkategorie ein.

Wie Sie aus dem Symbol hier links ersehen können, ist es verboten, das Produkt in den Hausmüll zu geben. Befolgen Sie also die Vorgaben zur Mülltrennung nach den in Ihrem Land geltenden Vorschriften oder geben Sie das Produkt beim Neukauf eines gleichwertigen Artikels an den Händler zurück.

**ACHTUNG:** die örtlichen Gesetze können schwere Strafen bei missbräuchlicher Entsorgung dieses Produkts vorsehen

# DEUTSCH – Bedienungs- und Installationsanleitung: Motorleinwand

## 04 ALLGEMEINE PRODUKTEIGENSCHAFTEN

Die Projektionswände werden in Übereinstimmung zu folgenden CE-Richtlinien hergestellt:

- 2014-35-CE LDV Niederspannung
- 2014-30-EU EMC Elektromagnetische Verträglichkeit
- 2014-53-CE Funkausrüstung
- 2009-125-CE VERBRAUCH Ecodesign
- 2015-863-EC ROHS Gefahrstoffe
- 2012-19-CE RAEE Abfallbehandlung
- 2001-95-CE SICHERHEIT Sichere Produkte

Die in diesem Handbuch beschriebene Projektionswand darf nur als Bildwand für die Videoprojektion verwendet werden. Jede andere, nicht in diesem Handbuch vorgesehene Verwendung ist unzulässig. Die Projektionswand enthält eines oder mehrere Projektionsstoffe/Projektionsfolien aus cadmiumfreiem PVC oder aus PVC-impregnierter GLASFASER. Jedes Tuch kann in folgende Baustoffklassen eingeteilt werden:

- M1 und M2 gemäß den französischen Bestimmungen (LNE Laboratoire national de métrologie et d'essais – French Companies CREPIM – Efectis France);
- B1 und B2 gemäß den deutschen Bestimmungen (Exova Warringtonfire Laboratory of Frankfurt am Main);
- Bs1d0 gemäß den Italienischen Bestimmungen (Italian Interior Ministry).

Da es noch keine europaweite Harmonisierung der verschiedenen nationalen Einstufungsnormen gibt, wird darauf hingewiesen, dass die französische Klasse M1 nicht entzündlichem Material, und die Klasse M2 schwer entzündlichem Material entspricht. Die für unsere Leinwände verwendeten Projektionsstoffe/Projektionsfolien bestehen hauptsächlich aus plastifiziertem PVC oder Glasfasergewebe. Diese Stoffe sind temperatur- und feuchtigkeitsempfindlich. Aus diesem Grund ist für alle Abmessungen eine Toleranz von 1% zulässig.

Die Toleranzen für die verbauten Aluminiumprofile betragen +/- 2 mm.

Die Toleranzen für Gesamtabmessungen betragen:

- +/- 3 mm für Abmessungen bis 2500 mm;
- +/- 5 mm für Abmessungen bis 4000 mm;
- +/- 10 mm für Abmessungen bis 8000 mm
- +/- 20 mm für Abmessungen bis 16000 mm;
- +/- 30 mm für Abmessungen bis 24000 mm.

## 05 REINIGUNG UND WARTUNG

Die Projektionswände und deren Projektionstücher sind sehr empfindlich, daher müssen sie besonders sorgfältig behandelt und unter Befolgung der nachstehenden Hinweise gepflegt werden:

Zum Reinigen der Oberfläche keine Lösungsmittel, Chemikalien oder Scheuermittel und keine spitzen Utensilien benutzen.

Jeden Kontakt mit anderen Materialien (Lacke, Tinten usw.) vermeiden, da sich diese möglicherweise nicht mehr von dem Gewebe entfernen lassen.

**PROJEKTIONSTÜCHER:** Entfernen Sie Staub vom Gehäuse mit einem weichen, sauberen und nicht aggressiven Reinigungsmittel, je nach Notwendigkeit.

Reinigen Sie die Leinwand mit einem weichen, sauberen, feuchten Tuch und einem neutralen oder leicht alkoholhaltigem Reinigungsmittel. Da das Reiben mit einem Tuch während des Reinigungsvorgangs zu einer elektrostatischen Aufladung führen kann, empfehlen wir die anschließende Anwendung einer antistatischen Flüssigkeit mit einem sauberen Tuch, um zu vermeiden, dass Staub wieder angezogen wird.

**PROFILE:** Das Gehäuse ist mit einem weichen, sauberen Tuch abzustauben und gegebenenfalls mit einem milden Reinigungsmittel zu reinigen.

**PROFILE MIT SAMTBEZUG:** Zur Pflege des Profils wird dieses mit einem weichen, sauberen Tuch oder mit einer Bürste mit weichen, antistatischen Borsten abgestaubt. Ein Bürstenaufsatz am Staubsauger darf nur benutzt werden, wenn die Borsten weich und perfekt sauber sind.

**STRUKTUR und BEFESTIGUNGSBÜGEL:** Der Zustand des Produkts und der Halt der Befestigungsbügel müssen regelmäßig kontrolliert werden. Sind Verbiegungen, Risse oder Materialermüdung von Bügeln, Schrauben oder Bauteilen des Produkts festzustellen, muss die Umgebung der Projektionswand abgesichert werden, um Sach- und Personenschäden zu vermeiden. Anschließend das anscheinend defekte Teil sofort ersetzen und das Produkt wieder herstellen.

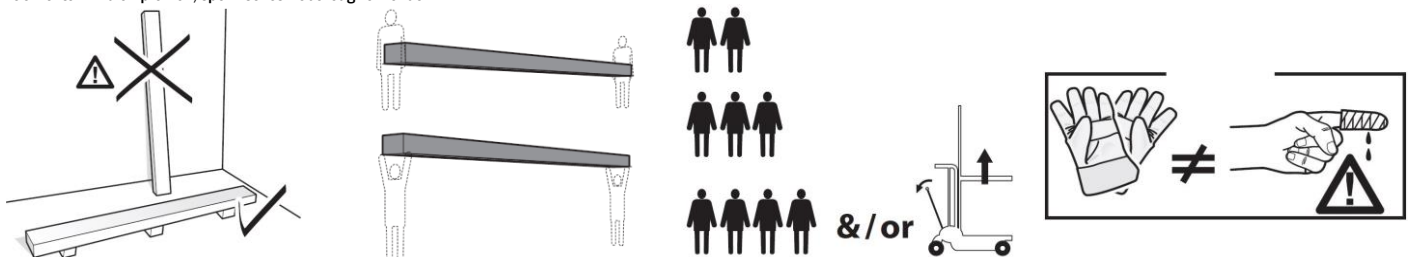
## 06 AUSPACKEN DER PROJEKTIONSWAND UND HANDLING DES PRODUKTES

Stellen Sie sicher, dass während des Transports kein Teil der Leinwand beschädigt wurde. Bei Auffälligkeiten ist umgehend der Händler zu informieren. Überprüfen Sie, ob alle Zubehörteile für die nachfolgend beschriebene Leinwand mitgeliefert wurden.

### Projektionswand mit motorbetriebenem Wickelmechanismus oder integriertem Funkempfänger

- 1 Bausatz mit 2 Halterung für die Installation (für Projektionswände bis zu einer Breite von 2.5 m)
  - 1 Bausatz mit 3 Halterung für die Installation (für Projektionswände mit einer Breite über 2.5 m)
  - 1 einpoliger Umschalter 10 A, 250 V, Totmannschalter mit Richtungspfeilen, einschließlich Kappe für die Wandmontage
  - 1 Funkfrequenzsender (für Projektionswände mit integriertem Funkempfänger)
  - 1 Inbusschlüssel aus Kunststoff
  - 1 Gebrauchsanleitung
- (ohne Schrauben und Dübel für die Wandbefestigung)

**ACHTUNG:** Zum Öffnen der Verpackung keine Teppichmesser oder spitzen Gegenstände verwenden. Beim Öffnen der Verpackung, sowie bei Installation und Handling des Produktes immer Schutzhandschuhe tragen. Das Produkt muss je nach Gewicht von mindestens zwei, drei oder vier Personen befördert werden (Richtwerte für die Last pro Person: 25 kg Männer - 15 kg Frauen). Bei höheren Gewichten wird empfohlen, spezifisches Hebezeug verwenden



## 07 MONTAGEANLEITUNG I



verboten, den Bildschirm auf mobilen Wänden oder instabile Leitungen verlegen, müssen die Klammern auf Oberflächen, die in der Zeit sicherzustellen, dass Ihre distanz angewendet werden. Die Montage der Projektionswand hat mit Schrauben und Dübeln zu erfolgen, die für das Gewicht und die Art der Wand oder der Decke geeignet sind, an der die Bügel befestigt werden sollen. Vor Beginn der Installation, wählen Sie den Dübel oder das Befestigungssystem nach dem folgenden Schema

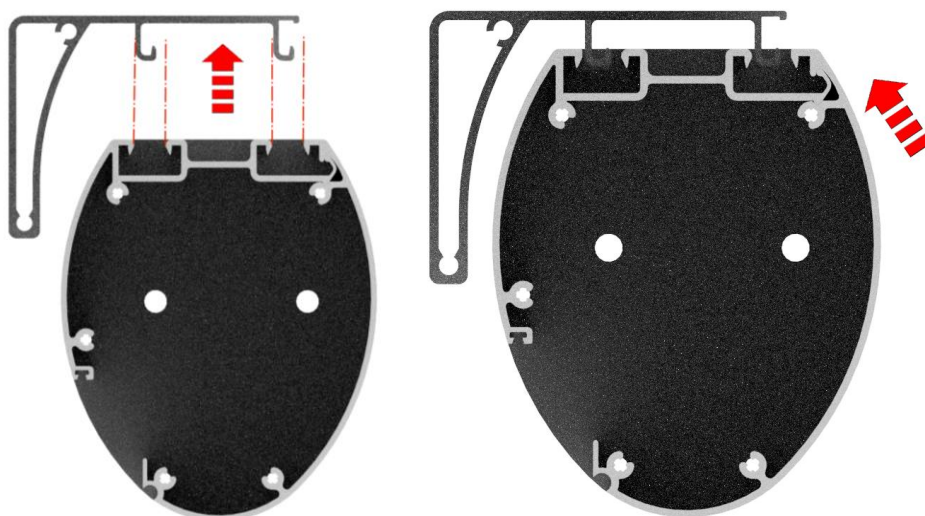
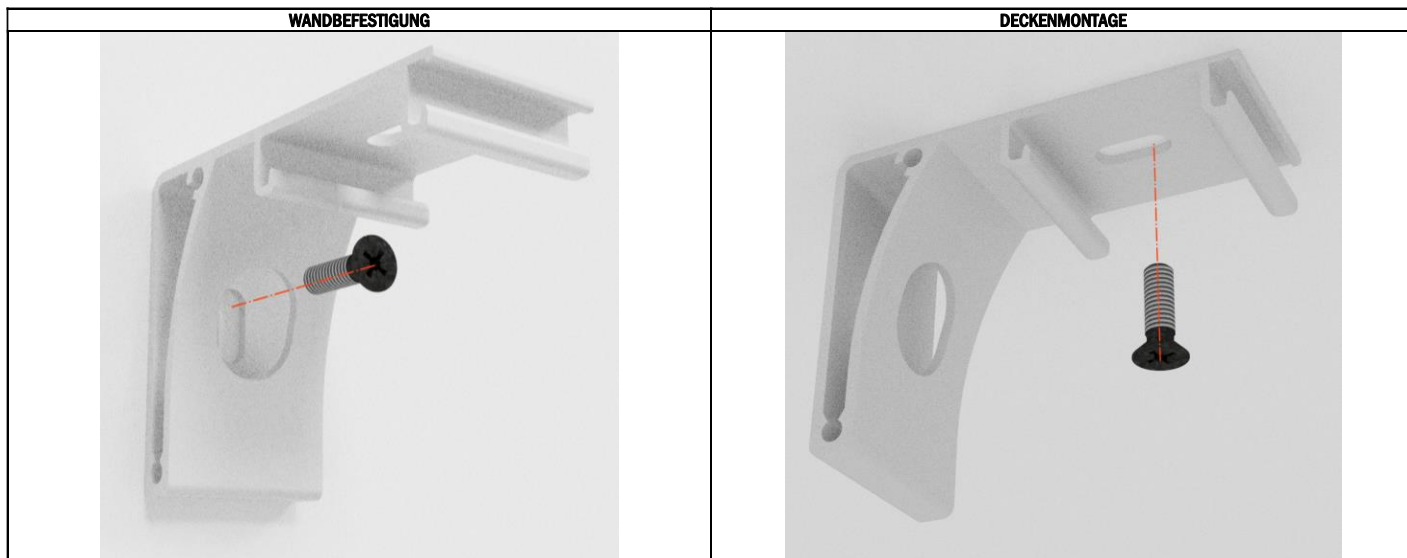
Breite Projektionswand bis (cm)	210	260	310	360	410
Zu berücksichtigendes Gesamtgewicht	Kg 22	Kg 26	Kg 33	Kg 36	Kg 41

**ACHTUNG:** Es ist

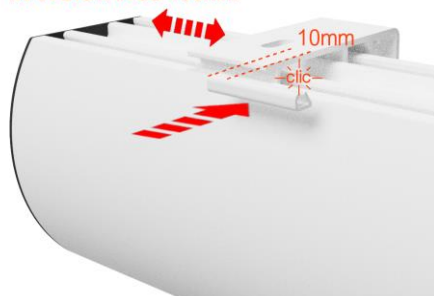
absolut

**WANDBEFESTIGUNG UND DECKENMONTAGE:**

Installieren Sie den Bildschirm als die Abbildungen unten.



MAX DISTANCE 100mm





# DEUTSCH – Bedienungs- und Installationsanleitung: Motorleinwand

## 09 KENNUNG DES MOTORTYPS – FEATURES - ELEKTRISCHER ANSCHLUSS

Der am Produkt installierte Motortyp ist auf dem an jedem Produkt angebrachten Typenschild mit dem CE-Logo angegeben. Bei Öffnen der Verpackung muss dieses Typenschild kontrolliert, und zur korrekten Installation und Verdrahtung das korrekte Motormodell ermittelt werden. Falls die Motorleistung nicht der Leistung des Stromnetzes am Installationsort entspricht, wenden Sie sich bitte an einen Elektroinstallateur und besorgen Sie einen passenden Strom-Frequenz-Wandler.


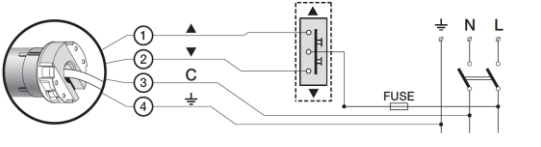


### ELEKTRISCHER ANSCHLUSS

Die elektrische Verkabelung muss den geltenden CEI-Bestimmungen entsprechen. Die CEI-Norm EN 60335-1 sieht vor, dass im Stromnetz ein einpoliger Trennschalter mit einer Kontaktöffnung von zumindest 3 mm vorgeschaltet ist. Benutzen Sie für die Betätigung der Leinwand nur den mitgelieferten Umschalter (oder ein gleichwertiges Modell) unter Beachtung der Angaben des Anschlussplans der Abb (bei linksseitigem Antrieb sind die Farben der Leiter zu vertauschen, das heißt abwärts = braun, aufwärts = schwarz). Der Umschalter ist sichtbar in einer Höhe zwischen 1,5 und 1,8 m vom Boden anzubringen. Für den Anschluss der Kabel an die mitgelieferte Taste die Frontplatten abnehmen, um die Sperr-/Freigabetasten freizulegen.

### ACHTUNG

Die korrekte und fachgerechte Durchführung in Einhaltung der geltenden Normen der elektrischen Anschlüsse ist zur Verhütung von Unfällen und für den korrekten, über die Zeit hinweg unveränderten Betrieb der Projektionswand wichtig. Stellen Sie bitte vor Eingriffen an elektrischen Teilen fest, dass das Gerät spannungsfrei ist. Bei Projektionswänden mit Gehäuse befindet sich der Antrieb, von vorne gesehen, rechts von der Leinwand (auf Wunsch kann er auch links angebracht werden). Niemals zwei oder mehrere Motoren ohne Steuervorrichtung an den gleichen Umschalter ohne Aggregatsteuerung oder zwei Umschalter an den gleichen Motor.

<p><b>NICE 230V 50Hz</b>  <b>Technische Eigenschaften:</b>          Frequenz: ~Hz50          Leistung: 120W          Drehmoment: 10Nm          Geschwindigkeit: 17U/M          Betriebszyklus: S2 4Min          Kabellänge: 3m          Mechanische Festigkeit: nach Norm EN14202          Betriebstemperatur: von -20 bis +55 °C          Bewerteter Schalldruckpegel: LpA ≤ 70 dB(A)          Schutzart des Motors: IP44</p>	<p><b>Anschluss für jeden Motor:</b></p> <ol style="list-style-type: none"> <li>1 Braun (Aufwärts)</li> <li>2 Schwarz (Aufwärts)</li> <li>3 Blau (Comun)</li> <li>4 Gelb grün (Erde)</li> </ol> 	
--	---	--

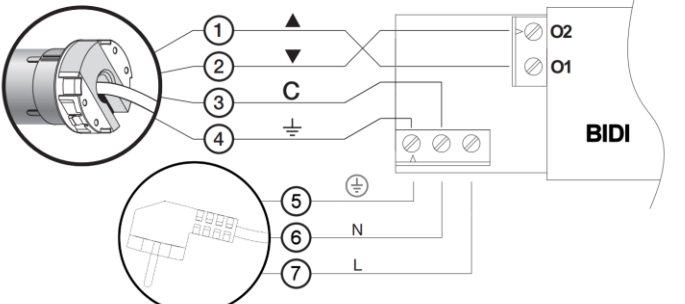


### ELEKTRISCHER ANSCHLUSS:

Die elektrische Verkabelung muss den geltenden CEI-Bestimmungen entsprechen. Die CEI-Norm EN 60335-1 sieht vor, dass im Stromnetz für jeden einzelnen Motor (z.B. Steckerunterbrecher usw.) ein einpoliger Trennschalter mit einer Kontaktöffnung von zumindest 3 mm vorgeschaltet ist. Gegebenenfalls garantiert diese Vorrichtung ein schnelles und sicheres Abschalten der elektrischen Versorgung. Die Kabel sind gemäß nebenstehender Beschreibung anzuschließen.

### ACHTUNG:

Die korrekte und fachgerechte Durchführung in Einhaltung der geltenden Normen der elektrischen Anschlüsse ist zur Verhütung von Unfällen und für den korrekten, über die Zeit hinweg unveränderten Betrieb der Projektionswand wichtig. Stellen Sie bitte vor Eingriffen an elektrischen Teilen fest, dass das Gerät spannungsfrei ist. Bei Projektionswänden mit Gehäuse befindet sich der Antrieb, von vorne gesehen, rechts von der Leinwand (auf Wunsch kann er auch links angebracht werden). Folgen Sie den Anleitungen im Schaltplan.

<p><b>NICE 230V 50Hz + Interface TT1N</b>  <b>Technische Eigenschaften:</b>          Frequenz: ~Hz50          Leistung: 120W          Drehmoment: 10Nm          Geschwindigkeit: 17U/M          Betriebszyklus: S2 4Min          Kabellänge: 3m          Mechanische Festigkeit: nach Norm EN14202          Betriebstemperatur: von -20 bis +55 °C          Bewerteter Schalldruckpegel: LpA ≤ 70 dB(A)          Schutzart des Motors: IP44</p>	<p><b>Anschluss für jeden Motor:</b></p> <ol style="list-style-type: none"> <li>5 Gelb grün (Erde)</li> <li>6 Braun (Phase 230V)</li> <li>7 Blau (Neutral)</li> </ol>	
---	---	--

## 10 ÄNDERUNG DES ENDSCHALTERS (Dieser Vorgang wurde bereits im Werk vorgenommen)



### ACHTUNG: VOR DEM EINSTELLEN LESEN

Die in der gezeigten Einstellungen sind nur von ermächtigtem und spezialisiertem Personal auszuführen. Die falsche Anwendung der beschriebenen Prozeduren können das Produkt schädigen; solche Schäden sind nicht von der Garantie gedeckt. Die Einstellung der Endschalter variiert je nach Motorposition (rechts oder links) oder nach Fall der Leinwand (vorne oder hinten); Die Einstellung erfolgt mittels Inbusschlüssel mit 4 mm (im Lieferumfang enthalten).

DIE SCHRAUBEN FÜR DIE EINSTELLUNG DER ENDSCHALTER FINDEN SICH IM UNTEREN TEIL DER PROJEKTIONSWAND (ACHTUNG: DIESE LÖCHER DURCH EIN AUFGEKLEBTES GARANTIESIEGEL VERDECKT SEIN, ENTFERNEN SIE DAS KLEBSTOFF NICHT VOLLSTÄNDIG, LASSEN SIE NUR DAS LOCH FREI - siehe Bild auf der Seite) UND NICHT RECHTS ODER LINKS AN DEN SEITEN. DIE ENDSCHALTER DÜRFEN NICHT EINGESTELLT WERDEN, WÄHREND SIE DEN AUFWÄRTS- ODER ABWÄRTSTASTER GEDRÜCKT HALTEN.

HINWEISE



### ACHTUNG

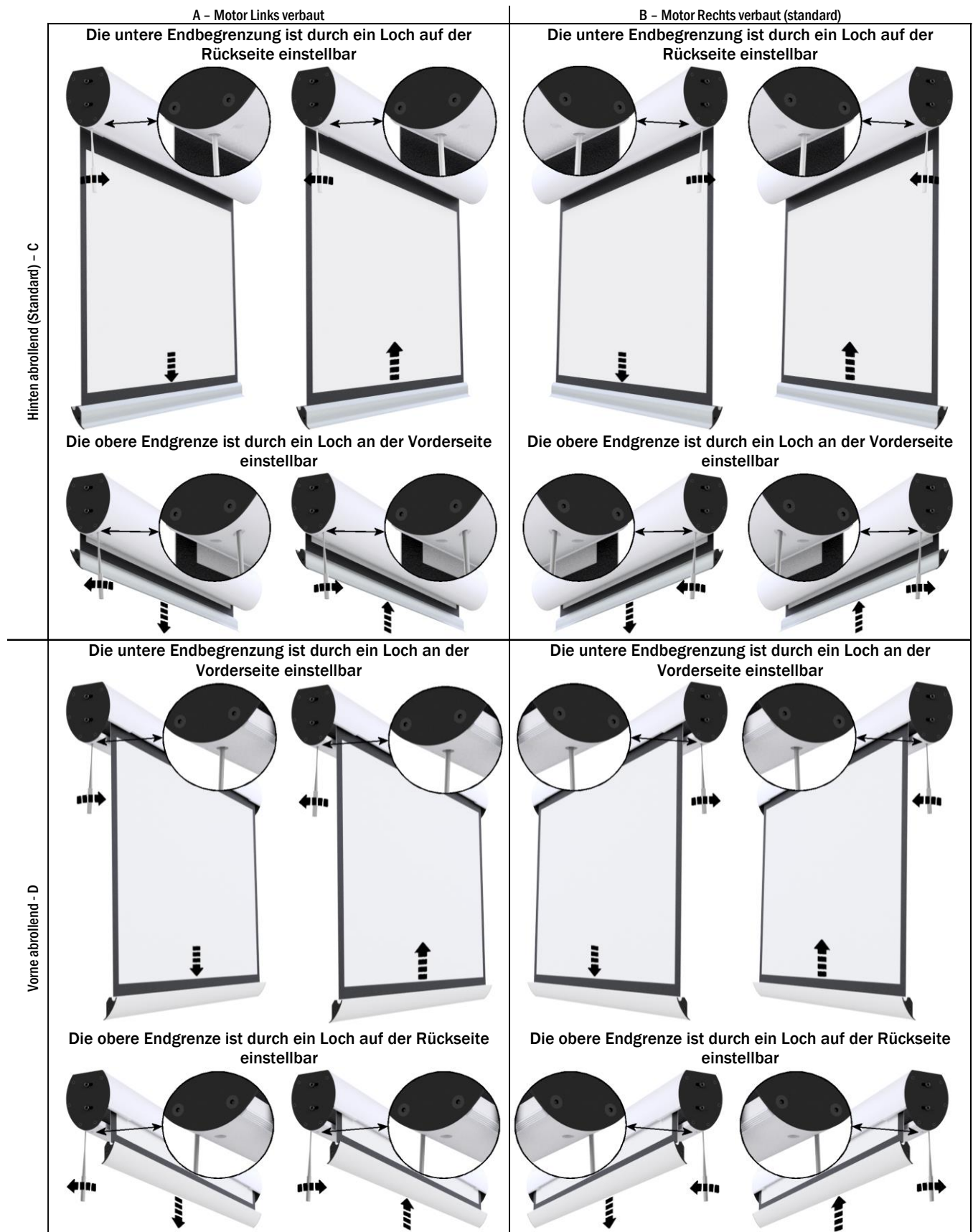
Der Endschalter wird so eingestellt, dass die Projektionsleinwand mindestens eineinhalb Mal um die Rolle gewickelt werden kann, um das Ablösen der Leinwand zu verhindern. Wollen Sie den Sichtbereich verändern, können Sie die Endschalter entsprechend einstellen, wobei besondere Vorsicht anzuwenden ist: um das Produkt nicht zu beschädigen, darf der Sichtbereich höchstens um 3 cm erweitert werden. Die fehlerhafte Einstellung der Endschalter könnte verursachen:

- Ablösung der Leinwand von der Rolle
- Aufrollen der Projektionsleinwand in entgegengesetzter Richtung, wodurch die Ebenheit der Projektionsfläche und die Wickelmechanismen beschädigt werden.
- Zerstörung der Schweißnaht des unteren schwarzen Randes (umrandete Projektionswände).
- Übermäßige Belastung des Motors mit möglicher Beschädigung und Aktivierung des darin befindlichen Thermowiderstandes.
- Übermäßiges Aufwickeln aufgrund des Justiersystems des Endschalters mit daraus folgender Beschädigung der Mechanik.

### GARANTIE

Wir möchten Sie nochmals daran erinnern, dass Reparaturen bei Zerstörung der Versiegelung und Schäden, die durch falsche Einstellungen verursacht werden, nicht als Garantiefall behandelt werden

10 EINSTELLUNG DER ENDSCHALTE NICE



## GARANTIEKARTE - GARANTIEBEDINGUNGEN

Adeo Screen Sp. z o.o. mit Sitz in Złotoryja, ul. B. Krzywoustego 31, 59-500 Złotoryja (im Folgenden: „**Hersteller**“) garantiert die ordnungsgemäße Funktion der Projektionswand/ des Geräts (im Folgenden: „**Ware**“) für einen Zeitraum von 24 Monaten ab dem Datum der Ausstellung der Kaufrechnung/ des Kaufbelegs durch den Einzelhändler der Ware, d.h. die Person, die die Ware im Rahmen ihres Geschäftsbetriebs direkt vom Hersteller erworben hat (im Folgenden: „**Einzelhändler**“). Die Garantierechte gegenüber dem Hersteller stehen dem Endkunden zu, d.h. der Person, die die Ware beim Händler gekauft hat (im Folgenden „**Endkunde**“ genannt).

Die Ware muss in Übereinstimmung mit dem ausgegebenen Handbuch, den Arbeitsschutz- und Brandschutzvorschriften sowie anderen allgemein geltenden Gesetzen verwendet werden. Etwaige Mängel an der Ware, die während dieser Nutzungsdauer festgestellt werden, werden vom Service des Herstellers auf dem Gebiet der Republik Polen nach den unten beschriebenen Regeln behoben.

1. Eine Reklamationsmeldung sollte unverzüglich, spätestens jedoch innerhalb von 7 Tagen nach Feststellung eines Mangels an der Ware an die E-Mail-Adresse des Herstellers (info@adeoscreen.com) oder per Post (ul. Bolesława Krzywoustego 31, 59-500 Złotoryja) geschickt werden. Die Reklamationsmeldung muss die Daten des Endkunden (Vor- und Nachname, Postanschrift, Telefonnummer), die Daten der Ware, auf die sich die Reklamation bezieht, eine detaillierte Beschreibung des festgestellten Mangels zusammen mit Fotos und die Angabe des Datums, an dem der Mangel festgestellt wurde, enthalten. Die Garantiekarte und eine Fotokopie des Kaufbelegs der reklamierten Ware müssen der Reklamationsmeldung beigelegt werden, andernfalls wird die Reklamation nicht anerkannt. Im Falle einer unvollständigen Reklamationsmeldung wird der Hersteller die Ergänzung der Meldung verlangen.
2. Die Garantie umfasst nur das Recht, die Reparatur des Produkts zu verlangen.
3. Innerhalb von 7 Werktagen nach Erhalt einer vollständigen Reklamationsmeldung informiert der Hersteller den Endkunden über die Annahme oder Ablehnung der Reklamation. Im Falle der Anerkennung der Reklamation wird der Hersteller den Endkunden auffordern, die Ware unter Zusendung einer von den Mitarbeitern der Kundendienstabteilung des Herstellers ausgestellten Genehmigung (SRO-Dokument) für die Rücksendung der Ware zurückzusenden. Der Endkunde ist verpflichtet, die Ware auf eigene Kosten zu demontieren und in der Originalverpackung oder einer gleichwertigen Verpackung an den Hersteller zurückzusenden, damit während des Transports keine Schäden entstehen. Die Kosten für den Transport der Ware zum Hauptsitz des Herstellers werden vom Hersteller übernommen, vorausgesetzt, der vom Kunden organisierte Transport entspricht den marktüblichen Tarifen.
4. Nach Erhalt der Ware, die für eine Reklamation in Frage kommt, muss der Hersteller die Ware innerhalb von 14 (Arbeits-)Tagen ab dem Datum des Erhalts der Ware reparieren. Die Frist für die Behebung des Mangels kann um die Zeit verlängert werden, die für die Einfuhr der erforderlichen Ersatzteile erforderlich ist, in jedem Fall aber nicht länger als 30 Arbeitstage. In diesem Fall wird der Hersteller den Endkunden über die Verlängerung der Reparaturfrist aufgrund der Notwendigkeit der Einfuhr von Ersatzteilen informieren und eine neue Frist für die Beseitigung des Mangels setzen.
5. Die Beseitigung des Mangels oder Fehlers muss vom Endkunden bestätigt werden. Die Bestätigung der Mängelbeseitigung sowie die Verweigerung der Bestätigung erfolgen spätestens 14 Tage ab dem Datum der Mitteilung des Herstellers an den Endkunden über die Reparatur. Die Verweigerung der Abnahme innerhalb der vorgenannten Frist durch den Endkunden zur Anerkennung der Mängelbeseitigung ist gleichbedeutend mit der Feststellung der ordnungsgemäßen Beseitigung. Nachdem der Endkunde die Beseitigung des Mangels festgestellt hat, ist er verpflichtet, die Ware unverzüglich beim Hersteller abzuholen. Die Kosten für die Lieferung der Ware an den Endkunden werden vom Hersteller übernommen, vorausgesetzt, der vom Kunden organisierte Transport entspricht den marktüblichen Tarifen. Der Hersteller ist nicht verpflichtet, die Ware zu installieren. Der Hersteller ist nicht verpflichtet, den Wiedereinbau der Ware nach der Reparatur vorzunehmen und die Kosten dafür zu tragen.
6. Stellt der Hersteller im Laufe der Garantiereparatur trotz der Qualifizierung der Ware für eine Reklamation Schäden fest, die von der Garantie ausgeschlossen sind, so teilt der Hersteller dem Endkunden vor der Durchführung von Arbeiten auf dessen Kosten die Höhe der geschätzten Reparaturkosten mit und führt weitere Maßnahmen durch, nachdem er das Einverständnis des Endkunden eingeholt hat, diese Kosten dem Endkunden in Rechnung zu stellen.
7. Die Haftung des Herstellers im Rahmen der Garantie ist ausgeschlossen, wenn:
  - a) die Ware in einer Art und Weise verwendet wird, die nicht mit dem vorgesehenen Verwendungszweck oder der Gebrauchsanweisung übereinstimmt, insbesondere wenn der Mangel auf eine unsachgemäße Verwendung der Ware zurückzuführen ist,
  - b) ein Mangel an der Ware bei der Montage entstanden ist,
  - c) die Montage, Installation und Wartung der Ware nicht von Fachleuten oder technisch qualifiziertem Personal oder nicht gemäß den Anweisungen im Handbuch durchgeführt wurde,
  - d) ein Mangel an der Ware während des Transports aufgetreten ist, sofern der Hersteller nicht für den Transport verantwortlich ist und der Endkunde die Lieferung aufgrund mangelnder Unversehrtheit der Sendung nicht unter Vorbehalt annimmt,
  - e) die Mängel an der Ware durch zufällige Ereignisse, insbesondere durch höhere Gewalt, entstanden sind,
  - f) die Mängel an der Ware auf Reparaturen oder Eingriffe von Personen zurückzuführen sind, die nicht vom Hersteller autorisiert wurden,
  - g) die Ware nicht direkt beim Einzelhändler gekauft wurde.
8. Im Falle des Eintritts einer Bedingung für den Ausschluss der Haftung des Herstellers im Rahmen der Garantie gehen die Kosten für die Lieferung der Ware an den Hersteller und die Kosten für den Transport der Ware zum Endkunden nach der Reparatur zu Lasten des Endkunden.

Diese Garantie schließt die Rechte des Endkunden aus zwingenden Bestimmungen nicht aus, schränkt sie nicht ein und setzt sie nicht aus, einschließlich der Rechte gegenüber dem Einzelhändler aus der Garantie für Mängel der Ware.

Diese Garantiekarte wird dem Endkunden vom Einzelhändler zur Verfügung gestellt und ist Bestandteil des Handbuchs der Projektionswand.

## 01 INTRODUCCIÓN



El presente manual forma parte integrante del producto y su lectura y comprensión revisten importancia fundamental para la seguridad. En el manual se indican las normas y modos de empleo para que el cliente utilice la pantalla correctamente y con seguridad. El manual deberá acompañar siempre al producto y deberá ser guardado en un lugar que garantice su integridad y que esté al alcance de las personas autorizadas a consultarlo. Cada usuario del producto será responsable de la correcta conservación del manual. El usuario también es responsable de controlar la funcionalidad de la pantalla y de la reparación o sustitución de piezas sujetas a desgaste que podrían procurar daños. Las imágenes contenidas en este manual tienen la finalidad de describir en detalle las funciones, características o procedimientos. Sin embargo, pueden diferir por el tipo de modelo representado, lo que no implica cambios en el significado descriptivo de la imagen.

## 02 NORMAS GENERALES DE SEGURIDAD



**ATENCIÓN:** Instrucciones de seguridad importantes. Observar las instrucciones dado que una instalación inadecuada puede provocar lesiones graves. Lea detenidamente y comprenda bien las instrucciones y advertencias que contiene este manual antes de comenzar a utilizar el producto y antes de llevar a cabo intervenciones de mantenimiento. Está prohibido terminantemente de instalar la pantalla sobre áreas de posible tránsito de personas.

- Antes y durante el uso controle que la pantalla no genere situaciones de peligro.
- No altere, quite o deteriore ningún elemento o parte de la pantalla.
- No efectuar nunca tareas de mantenimiento en la pantalla con el motor encendido (para mayor seguridad, desconectar la alimentación).
- Es obligatorio desenchufar la alimentación durante la limpieza, el mantenimiento o cuando se vayan a sustituir componentes.
- Está prohibido terminantemente a los niños utilizar el producto. Está terminantemente prohibido dejar que los niños se acerquen a la pantalla durante su movimiento.

Todas las pantallas están garantizadas y la validez de la garantía depende del respeto efectivo y del cumplimiento de las instrucciones que contiene este manual. **ATENCIÓN:** el kit de instalación de la pantalla no dispone de tornillos y tacos de expansión para la fijación a las paredes/ techos. El instalador es responsable de la elección adecuada de los tornillos y de los sistemas de fijación, de acuerdo con los diferentes tipos de material de las paredes o techos en los que tiene que instalar la pantalla. Una instalación incorrecta podría comprometer la seguridad de las personas que utilizarán el producto, el fabricante no es responsable de daños a bienes o personas provocados por una instalación incorrecta, un uso inadecuado de la pantalla o un mantenimiento escaso o insuficiente.

El fabricante no es responsable de problemas vinculados con errores de instalación. En caso de necesidad, póngase en contacto con nuestro departamento técnico para obtener más aclaraciones.

La instalación de la pantalla, las conexiones eléctricas y las comprobaciones en caso de fallo del enrollamiento motorizado tiene que efectuarlos el distribuidor autorizado o personal competente y que conozca los riesgos que puede representar la energía eléctrica. El cable de conexión no se puede sustituir. Si el cable se deteriora será necesario sustituir la pantalla. La alteración del final de recorrido o la perforación del sello situado encima de los agujeros provoca la anulación de la garantía.

**AL CONCLUIR EL MONTAJE DE LA PANTALLA EN LOS SOPORTES ES OBLIGATORIO COMPROBAR QUE ESTÉ PERFECTAMENTE HORIZONTAL ANTES DE UTILIZARLA**



## 03 ADVERTENCIAS Y PRECAUCIONES PARA EL USO Y INSTALACION

Las pantallas están destinadas para su utilización en interiores con temperatura (20 - 25 °C) y humedad normales.

No se deben instalar pantallas de proyección de vídeo delante de ventanas, cerca de fuentes de calor, tales como estufas, chimeneas, o conductos cerca de sistemas de aire acondicionado, tanto para frío como para calor. En caso de no atenderse a estas prohibiciones pueden producirse deformaciones o elongaciones permanentes del tejido de proyección.

Para utilizar la pantalla motorizada en el exterior es necesario adoptar ciertas medidas de precaución:

- 1- Proteger el cable(s) de alimentación del motor de las radiaciones ultravioleta mediante conductos o vainas aptos para la instalación en el exterior.
- 2- Utilizar pasacables para el aislamiento frente al agua y la humedad en las uniones con las cajas de conexión/derivación.
- 3- Utilizar conmutadores con un grado de protección IP55 o superior (el conmutador de serie del producto no es apto para un uso exterior).
- 4- Cubra y proteja la pantalla frente a contacto directo con agua o líquidos.

No deje la tela de proyección expuesta durante periodos largos a la luz solar para evitar que se amarillee (también controle que a causa de la exposición a la luz solar la pantalla no alcance los niveles de temperatura antedichos).

Las pantallas nunca se deben instalar cerca de fuentes de calor ya que causará que la misma se deforme y se deteriore.

Ya que el material del que está hecha la tela de proyección (PVC) tiende a cargarse electrostáticamente, el exceso de polvo en el ambiente de proyección puede provocar un degradado de las cualidades ópticas de la tela a causa del depósito de polvo por atracción electrostática (véase también limpieza de la tela de proyección).

El uso de la pantalla enrollable prevé que la tela se abra completamente (bajada) y se cierre completamente (subida) después de su utilización con un proyector. La apertura y el cierre completos (bajada-subida) de la pantalla se indican como "ciclo".

Las pantallas enrollables motorizadas están indicadas para utilizarse en un "ciclo" único, es decir que entre un ciclo y otro se suelte dejar pasar un tiempo considerable. No está previsto un uso de la pantalla con aperturas y cierres continuos.

Los motores utilizados en las pantallas están equipados con sistemas de bloqueo térmico cuya función es no recalentar el motor, lo cual lo dañaría de forma permanente. El dispositivo de bloqueo térmico se activa al término de un determinado número de ciclos de utilización; dicho número varía en función del tipo de motor y del tipo de pantalla (normalmente entre 3 y 6 ciclos). En todo caso, hay que recordar que el calor emitido por el motor se transmite al tubo, y por consiguiente a la tela que está enrollada alrededor del tubo. Una tela sobrecalentada podría sufrir deformaciones y alargamientos no homogéneos y permanentes, con la consecuencia de un fondo desalineado.

Para evitar este problema, no hay que utilizar la pantalla durante más de 3 ciclos completos de utilización (subida-bajada). Al alcanzarse el tercer ciclo de utilización continuo o de forma muy seguida, habrá que esperar 40 minutos con la pantalla en posición abierta (tela desenrollada) para permitir que el motor y los componentes estructurales se enfríen antes de una nueva utilización.

**ATENCIÓN:** no fuerce manualmente la salida de la tela, porque podría averiar el motor o desprender la carcasa de contención de los soportes de fijación.

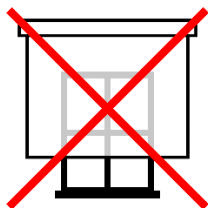
No permita que los niños jueguen con los dispositivos de mando fijos. Mantenga los mandos a distancia fuera del alcance de los niños.

Controle la pantalla mientras está subiendo y mantenga a las personas alejadas hasta que la pantalla no esté completamente cerrada. No se debe bloquear, impedir y forzar el movimiento de la pantalla, asirse o colgarse, añadir o aplicar cualquier objeto en la tela o marco y modificar la estructura de la pantalla, puesto que podría provocar problemas al sistema de enrollamiento con daños consiguientes a bienes o personas.

No se deben instalar pantallas de proyección de vídeo en frente de ventanas.

No se deben instalar pantallas de proyección de vídeo cerca de fuentes de calor como estufas, chimeneas o conductos cerca de sistemas de aire acondicionado para aire frío y caliente.

Coloque las pantallas de tal manera que queden perfectamente en posición horizontal.



## ELIMINACION DEL PRODUCTO



Así como para los trabajos de instalación, también al final de la vida útil de este producto, el desguace deberá ser hecho por personal experto. Este producto está formado de varios tipos de materiales: algunos pueden ser reciclados, otros deberán ser eliminados. Infórmese sobre los sistemas de reciclaje o eliminación previstos por las normas vigentes en su territorio para esta categoría de producto.

El símbolo de al lado indica que está prohibido desechar este producto con los residuos domésticos. Por lo tanto, haga la "recogida selectiva" según los métodos previstos por las normas vigentes en su territorio, o bien entregue el producto al vendedor en el momento de la compra de un producto nuevo equivalente.

Atención: las normas locales pueden prever sanciones pesadas en caso de eliminación abusiva de este producto.

## 04 CARACTERÍSTICAS GENERALES DEL PRODUCTO

Las pantallas se fabrican de conformidad con las disposiciones de las siguientes directivas CE: 2014-35-CE LDV Baja tensión  
 2014-30-EU EMC Compatibilidad electromagnética  
 2014-53-CE Dispositivos de radio  
 2009-125-CE CONSUMO Eco design  
 2015-863-EC ROHS Sustancias peligrosas  
 2012-19-CE RAEE Tratamiento de desechos  
 2001-95-CE SEGURIDAD Productos seguros

La pantalla que se describe en este manual tiene que utilizarse exclusivamente como soporte para la proyección de vídeo. Cualquier uso no contemplado en este manual, no está permitido.  
 La pantalla dispone de una o más tejidos/láminas de proyección en PVC plastificado sin cadmio o en FIBRA de VIDRIO impregnada con PVC plastificado, y cada tela se puede clasificar en la categoría:  
 - M1 o M2 de acuerdo con las normas francesas (LNE Laboratoire national de métrologie et d'essais – French Companies CREPIM – Efectis France);  
 - B1 o B2 de acuerdo con las normas alemanas (Exova Warringtonfire Laboratory of Frankfurt am Main);  
 - Bs1d0 de acuerdo con las normas italiano (Italian Interior Ministry).

Puesto que aún no existe en Europa una armonización entre las diferentes normativas nacionales de clasificación, se precisa que la clase M1 francesa corresponde a material no inflamable y la clase M2 corresponde a material difícilmente inflamable. Los tejidos/láminas de proyección utilizados en las pantallas están fabricados principalmente de PVC plastificado o fibra de vidrio. Dichos tejidos son sensibles a la temperatura y a la humedad, por lo que la tolerancia dimensional admisible es del 1% para cada dimensión.

Las tolerancias de los perfiles de aluminio utilizados son de +/- 2 mm.

Las tolerancias en el espacio total son de:

- +/- 3 mm hasta 2500 mm de espacio total;
- +/- 5 mm hasta 4000 mm de espacio total;
- +/- 10 mm hasta 8000 mm de espacio total;
- +/- 20 mm hasta 16000 mm de espacio total;
- +/- 30 mm hasta 24000 mm de espacio total.

## 05 LIMPIEZA MANTENIMIENTO

La pantalla y las telas de proyección de las pantallas son delicadas, por lo que hay que prestar especial atención y seguir las instrucciones de limpieza:

No utilice nunca disolventes, productos químicos o abrasivos ni instrumentos puntiagudos para limpiar la superficie.

Evite cualquier contacto con otros materiales (barnices, tintas, etc.) pues podría ser imposible eliminarlos de la tela.

**TELAS DE PROYECCIÓN:** Para limpiar la tela de proyección, utilice un paño suave, limpio y humedecido, de ser oportuno también utilice algún detergente de base neutra o alcohol. Puede suceder que tras la limpieza la tela se cargue de electricidad estática a causa de la fricción con el paño, por lo que se aconseja pasar, con un paño limpio, un líquido antiestático para que el polvo no sea atraído nuevamente por la pantalla.

**CARCASA:** Para limpiar la carcasa utilice un paño suave limpio y, en su caso, algún detergente no agresivo

**CONTORNOS ATERCIOPELADOS:** Para limpiar el contorno, elimine el polvo con la ayuda de un paño limpio o con cepillos de cerdas suaves y antiestáticas. Se permite utilizar un cepillo instalado en una aspiradora sólo si las cerdas son suaves y están perfectamente limpias.

**ESTRUCTURA Y ABRAZADERAS DE FIJACIÓN:** Es obligatorio verificar periódicamente el estado del producto y comprobar la resistencia de las abrazaderas de fijación. En caso de deformaciones, desgarros o fallos estructurales de abrazaderas, tornillos o componentes del producto, es obligatorio asegurar inmediatamente la zona próxima a la pantalla, para evitar cualquier tipo de daño a personas o cosas. Sucesivamente, deberá sustituir inmediatamente el presunto componente defectuoso y restablecer el producto.

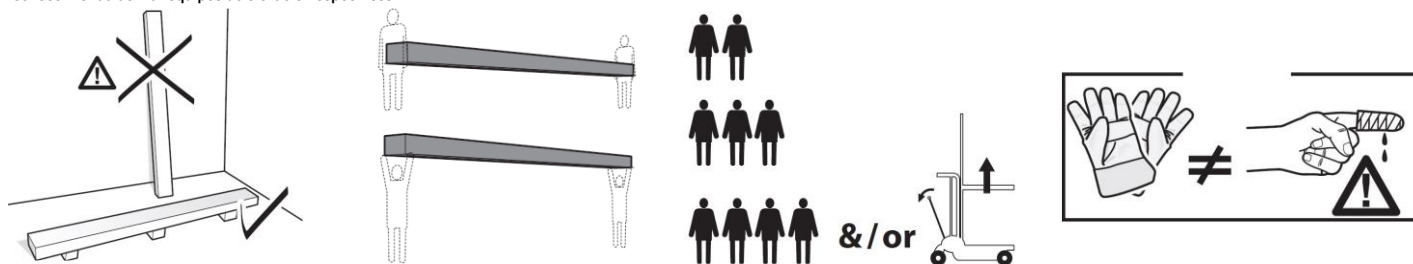
## 06 DESEMBALAJE DE LA PANTALLA Y DESPLAZAMIENTO DEL PRODUCTO

Controle que ninguna parte de la pantalla haya sufrido desperfectos durante el transporte. En caso de anomalías, informe de inmediato al revendedor. Controle que estén presentes todos los accesorios para el tipo de pantalla descrito en el manual.

### Pantalla enrollable motorizada o con control radio integrado

- 1 Kit con 2 soportes para la instalación (para pantallas de hasta 2.5 m de ancho)
  - 1 Kit con 3 soportes para la instalación (para pantallas de más de 2.5 m de ancho)
  - 1 interruptor unipolar 10°, 250V "hombre presente", con flechas direccionales, incluida caja para el montaje en la pared
  - 1 transmisor radio frecuencia (para pantallas versión radio integrado)
  - 1 llave hexagonal de plástico
  - 1 manual de instrucciones
- (no se incluyen ni tornillos ni tacos para la pared)

**ATENCIÓN** no utilizar ni una cuchilla ni un objeto puntiagudo para abrir el embalaje, utilizar siempre guantes de protección durante la apertura del embalaje y la instalación o desplazamiento del producto. Desplazar e instalar el producto mínimo entre dos, tres o cuatro personas, según el peso del producto (valores de referencia de carga por persona: 25kg macho - 15kg hembra). En caso de pesos superiores se recomienda utilizar equipos de elevación específicos.



## 07 INSTRUCCIONES PARA LA INSTALACIÓN

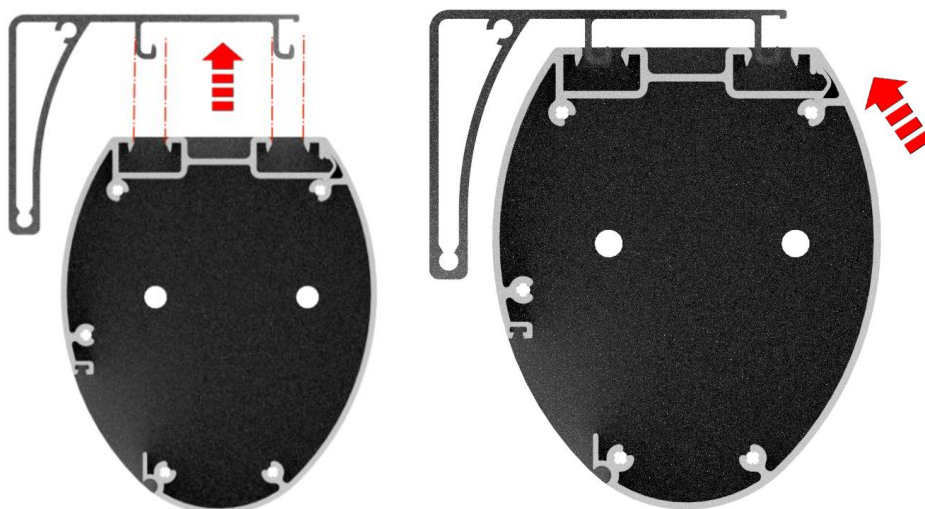
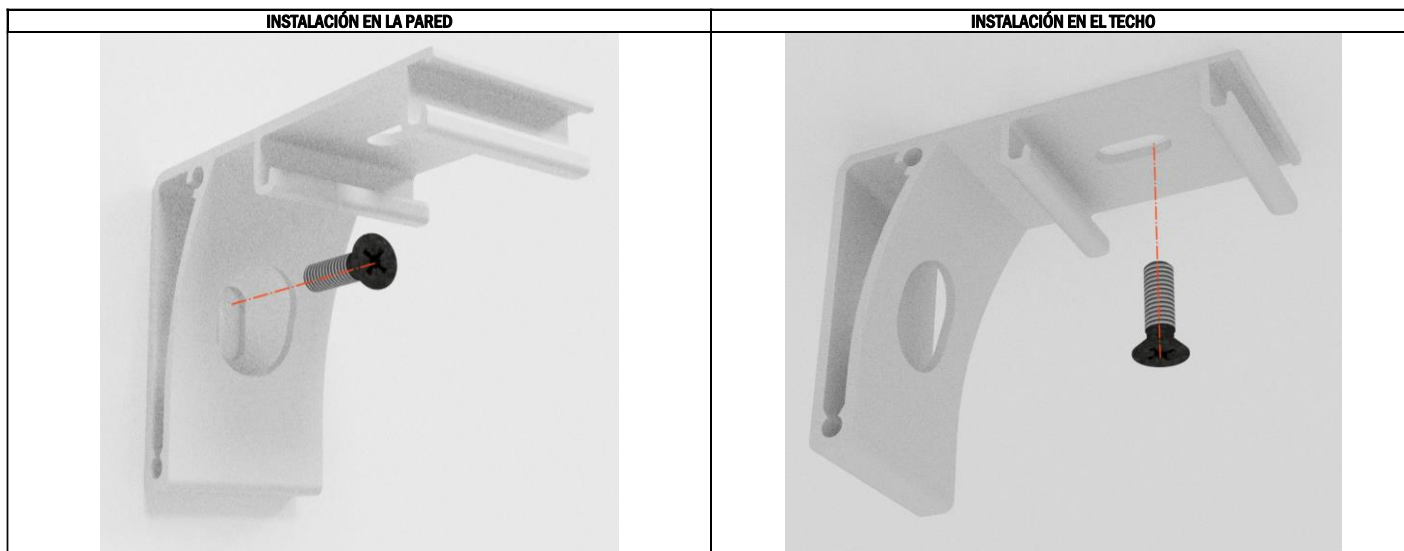


**ATENCIÓN:** Es absolutamente prohibido la instalación de la pantalla en las paredes móviles o cables inestables, los soportes deben ser aplicado sobre superficies que garanticen en el tiempo la distancia. La pantalla se deberá instalar utilizando tornillos y tacos adecuados para el peso y el tipo de pared o techo sobre los que se fijarán los soportes, antes de comenzar la instalación escoja el tipo de taco o fijación de acuerdo con el siguiente esquema:

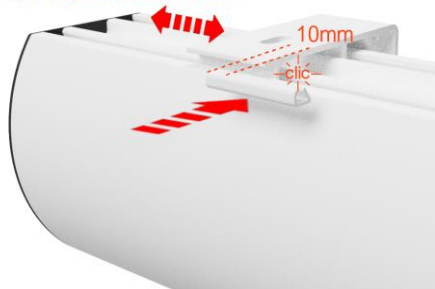
Pantalla con ancho hasta cm	210	260	310	360	410
Peso total a considerar	Kg 22	Kg 26	Kg 33	Kg 36	Kg 41

### INSTALACIÓN DE PARED Y TECHO:

Instalar la pantalla como los cuadros abajo.



MAX DISTANCE 100mm



## 09 IDENTIFICACIÓN DEL TIPO DE MOTOR – CARACTERÍSTICAS – CONEXIÓN ELÉCTRICA

El tipo de motor instalado en el producto se identifica en la etiqueta en la que aparece el logo CE y que se aplica en todos los productos; al abrir el embalaje se recomienda controlar esta etiqueta e identificar el modelo correcto de motor para efectuar una instalación y un cableado correctos. Si la potencia del motor no corresponde a la potencia de la línea eléctrica del lugar de instalación, tendrá que ponerse en contacto con un técnico electricista y utilizar un adecuado transformador de corriente y Hz.



### CONEXIÓN ELÉCTRICA:

el cableado eléctrico tiene que respetar las normas CEI en vigor. La norma CEI EN 60335-1 prevé que la red de alimentación cuente con un dispositivo de desconexión omnipolar con una distancia de apertura de los contactos de por lo menos 3 mm. Para accionar la pantalla utilice sólo el interruptor que se entrega de serie, o un modelo equivalente, siguiendo las indicaciones del esquema de conexión de la Fig. 4 (si el motor está montado a la izquierda los colores de los cables se tendrán que invertir, es decir bajada = marrón, subida = negro). El interruptor tiene que estar instalado a la vista del producto y a una altura comprendida entre 1,5 y 1,8 m de altura del suelo.

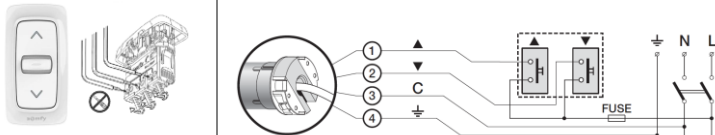
Para conectar los cables al interruptor que se entrega de serie, saque las placas frontales para acceder a los botones de bloqueo/desbloqueo

### ATENCIÓN:

La ejecución correcta de las conexiones eléctricas, con todas las de la ley y respetando las normas vigentes, es importante para prevenir accidentes y para un funcionamiento apropiado y duradero de la pantalla.

Antes de efectuar una operación sobre las partes eléctricas, controle que no haya tensión.

En las pantallas con carcasa, el motor está situado a la derecha de la pantalla vista de frente (si se solicita, podemos montarlo a la izquierda). No conecte nunca dos o varios motores al mismo interruptor sin un mando para grupo, o dos interruptores al mismo motor.

<p><b>NICE 230V 50Hz</b>  <b>Características del motor</b>          Frecuencia: ~Hz50          Potencia: 120W          Par: 10Nm          Velocidad: 17Rpm          Ciclo de funcionamiento: S2 4 min          Longitud del cable: 3m          Resistencia mecánica: de acuerdo con la norma EN14202          T° de funcionamiento: entre -20 y +55 °C          Nivel de presión sonora ponderado: LpA ≤ 70 dB(A)          Clase de protección del motor: IP44</p>	<p><b>Conexión para cada motor:</b></p> <ol style="list-style-type: none"> <li>1 Marrón (Subida)</li> <li>2 Negro (Bajada)</li> <li>3 Azul (Comùn)</li> <li>4 Amarillo verde (Tierra 120V)</li> </ol> 
--	--



### CONEXIÓN ELÉCTRICA:

el cableado eléctrico tiene que respetar las normas CEI en vigor. La norma CEI EN 60335-1 prevé que la red de alimentación disponga de un dispositivo de desconexión omnipolar con una distancia de apertura de los contactos de por lo menos 3 mm por cada uno de los motores (por ej. clavija de enchufe, etc.) En caso de necesidad, este dispositivo garantiza una desconexión rápida y segura de la corriente eléctrica.

Utilizar los cables para la conexión tal como se describe en la imagen.

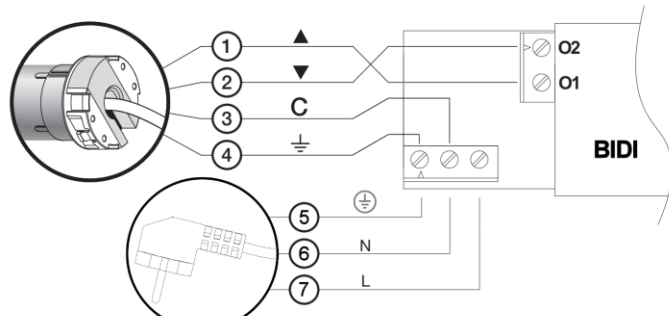
### ATENCIÓN:

La ejecución correcta de las conexiones eléctricas, con todas las de la ley y respetando las normas vigentes, es importante para prevenir accidentes y para un funcionamiento apropiado y duradero de la pantalla.

Antes de efectuar una operación sobre las partes eléctricas, controle que no haya tensión.

El motor en las pantallas que disponen de carcasa se encuentra a la derecha de la pantalla vista de frente

La pantalla se acciona mediante un mando a distancia que se entrega de serie.

<p><b>NICE 230V 50Hz + Interface TT1N</b>  <b>Características del motor</b>          Frecuencia: ~Hz50          Potencia: 120W          Par: 10Nm          Velocidad: 17Rpm          Ciclo de funcionamiento: S2 4 min          Longitud del cable: 3m          Resistencia mecánica: de acuerdo con la norma EN14202          T° de funcionamiento: entre -20 y +55 °C          Nivel de presión sonora ponderado: LpA ≤ 70 dB(A)          Clase de protección del motor: IP44</p>	<p><b>Conexión para cada motor:</b></p> <ol style="list-style-type: none"> <li>5 Amarillo-Verde (Tierra)</li> <li>6 Marrón (Fase 230V)</li> <li>7 Azul (neutro)</li> </ol>	
---	--	--



## 10 MODIFICACIÓN DE LOS FINALES DE CARRERA (procedimiento ya realizado en fábrica)



### ATENCIÓN LEA DETENIDAMENTE ANTES DE HACER LAS REGULACIONES

las regulaciones indicadas en las tabella siguiente deberán ser hechas sólo por personal autorizado y experto, la ejecución incorrecta de los procedimientos descritos puede causar daños al producto que no serán reconocidos por la garantía. La regulación de los finales de carrera cambia según la posición del motor (derecho columna B o izquierdo columna A), o bien sobre la base de la bajada de la tela (delantera riga C o trasera riga D). La regulación se hace con una llave hexagonal de 4mm (entregada de serie). **LOS TORNILLOS PARA LA REGULACIÓN DE LOS FINALES DE CARRERA SE ENCUENTRAN EN LA PARTE INFERIOR DE LA PANTALLA (ATENCIÓN: TALES ORIFICIOS ESTAR CUBIERTOS POR ADHESIVO DE GARANTÍA, NO RETIRE TOTALMENTE EL ADHESIVO, DEJE LIBRE SOLO EL AGUJERO - ver imagen en el lateral) Y "NO" EN EL COSTADO DERECHO O IZQUIERDO. NO REGULE LOS FINALES DE CARRERA CON EL BOTÓN DE SUBIDA O BAJADA ACTIVO.**



### ADVERTENCIAS





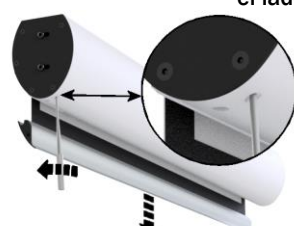
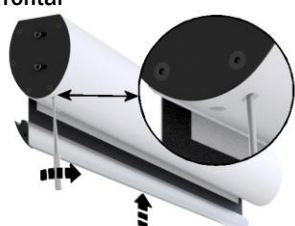
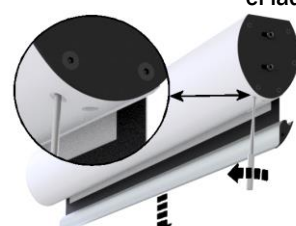
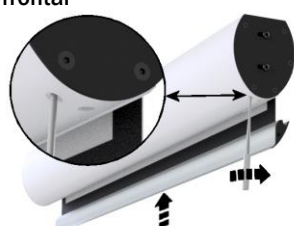



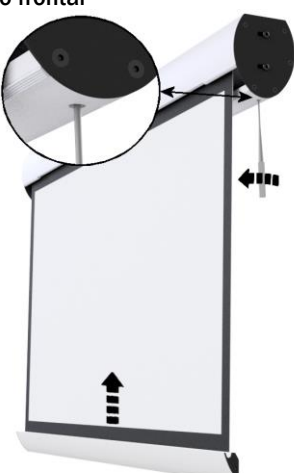
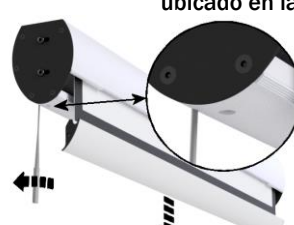
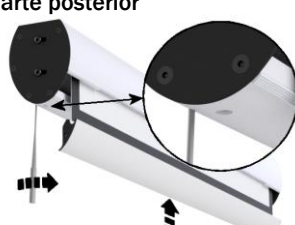
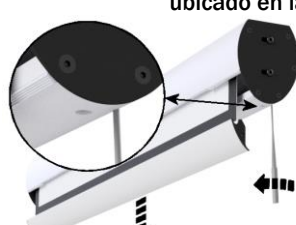
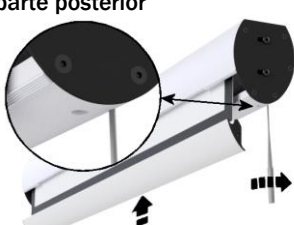
El final de carrera está regulado en modo de permitir que la tela de proyección quede enrollada al menos 1,5 vueltas alrededor del tubo para que no se desprenda. Ponga mucha atención en el caso en que la regulación de los finales de carrera debiera permitir desenrollar la tela de proyección más allá de la configuración de fábrica. Está permitido hacerlo hasta 3 cm sin riesgo de dañar el producto. Una regulación incorrecta de los finales de carrera podría causar:

- El desprendimiento de la tela de proyección del tubo
- El enrollamiento en sentido contrario de la tela de proyección, perjudicando la planeidad de la superficie de proyección y de los mecanismos de enrollamiento.
- La rotura de la soldadura del borde negro inferior (pantallas con bordes).
- Un esfuerzo excesivo en el motor con posible avería y activación de la resistencia térmica montada en el mismo.
- Un enrollamiento excesivo del sistema de regulación del final de carrera con consiguiente rotura de la parte mecánica.

### GARANTÍA

Se recuerda a los operadores que en caso de alteración de los precintos y daños derivados de una regulación incorrecta, las reparaciones no estarán cubiertas por la garantía.

10 REGULACION DE LOS FINALES DE CARRER NICE

		A - Motor instalada a la izquierda		B - Motor instalada a la Derecha (standard)	
Tela se desenrolla por Atrás (Standard) - C	El límite inferior se puede ajustar mediante un orificio ubicado en la parte posterior				
	El límite superior es ajustable mediante un orificio ubicado en el lado frontal				
Tela se desenrolla por Delante - D	El límite inferior se puede ajustar mediante un orificio ubicado en el lado frontal				
	El límite superior se puede ajustar mediante un orificio ubicado en la parte posterior				

## TARJETA DE GARANTÍA - CONDICIONES DE LA GARANTÍA

Adeo Screen Sp. z o.o., con sede en Złotoryja, en la calle B. Krzywoustego 31, 59-500 Złotoryja (en adelante, el "**Fabricante**"), garantiza el correcto funcionamiento de la pantalla de proyección/dispositivo (en adelante, el "**Producto**") por un período de 24 meses a partir de la fecha de emisión de la factura de compra o recibo por parte del minorista que adquirió el Producto directamente del Fabricante (en adelante, el "**Minorista**"). Los derechos de garantía con respecto al Fabricante corresponden al cliente final, es decir, la persona que compró el Producto al Minorista (en adelante, el "**Cliente Final**").

El Producto debe ser utilizado de acuerdo con el manual de instrucciones, normas de seguridad e higiene y contra incendios, así como otras normativas vigentes. Los defectos del Producto revelados durante este período de uso serán reparados por el servicio técnico del Fabricante ubicado en Polonia, bajo las siguientes condiciones.

1. La reclamación debe enviarse a la dirección de correo electrónico del Fabricante (info@adeoscreen.com) o por correo tradicional (ul. Bolesława Krzywoustego 31, 59-500 Złotoryja) inmediatamente, y a más tardar dentro de los 7 días posteriores al descubrimiento del defecto. La reclamación debe incluir los datos del Cliente Final (nombre y apellidos, dirección de correspondencia, número de teléfono), datos del Producto objeto de la reclamación, descripción detallada del defecto con fotografías, así como la fecha de descubrimiento del defecto. Se debe adjuntar la presente tarjeta de garantía y una copia del comprobante de compra del Producto reclamado, bajo pena de rechazo de la reclamación. En caso de documentación incompleta, el Fabricante solicitará su complementación.
2. La garantía solo otorga el derecho a solicitar la reparación del producto.
3. El Fabricante, dentro de los 7 días hábiles a partir de la recepción de la reclamación completa, informará al Cliente Final sobre la aceptación o rechazo de la reclamación. En caso de aceptación, el Fabricante solicitará al Cliente Final el envío del Producto y proporcionará una autorización de devolución (documento SRO). El Cliente Final es responsable de desinstalar y devolver el Producto al Fabricante en su embalaje original o equivalente, para evitar daños durante el transporte. Los costos de transporte hasta el Fabricante serán cubiertos por el Fabricante, siempre que el transporte organizado por el Cliente esté a tarifas de mercado.
4. Una vez recibido el Producto en el proceso de reclamación, el Fabricante reparará el Producto dentro de los 14 días hábiles posteriores a la recepción. El plazo de reparación puede extenderse hasta un máximo de 30 días hábiles si se requiere importar piezas. En tal caso, el Fabricante notificará al Cliente Final sobre el nuevo plazo.
5. El Cliente Final confirmará la eliminación del defecto o falla. La confirmación o rechazo deberá realizarse a más tardar 14 días después de que el Fabricante notifique la reparación. Si el Cliente Final no realiza esta confirmación en el plazo mencionado, se considerará que el defecto ha sido eliminado adecuadamente. El Cliente Final deberá recoger el Producto del Fabricante sin demora. Los costos de envío del Producto al Cliente Final serán cubiertos por el Fabricante, bajo la condición de que el transporte se organice a tarifas de mercado. El Fabricante no es responsable de la reinstalación del Producto.
6. Si, a pesar de la aceptación de la reclamación, el Fabricante detecta daños fuera del alcance de la garantía durante la reparación, informará al Cliente Final sobre los costos estimados de la reparación antes de proceder y continuará solo si el Cliente Final acepta cubrir esos costos.
7. La responsabilidad del Fabricante por garantía se excluye en los siguientes casos:
  - a) El Producto se utiliza de manera contraria a su propósito o instrucciones de uso, en particular si el defecto es resultado de un uso incorrecto.
  - b) El defecto surge durante el montaje.
  - c) La instalación y mantenimiento del Producto no fueron realizados por profesionales o personal técnicamente cualificado o no se siguieron las recomendaciones del manual de instrucciones.
  - d) El defecto del Producto se produjo durante el transporte, siempre que el Fabricante no fuera responsable del transporte y el Cliente Final no aceptara la entrega sin reservas debido a la falta de integridad de la mercancía.
  - e) Los defectos del Producto fueron causados por eventos fortuitos, especialmente de fuerza mayor.
  - f) Los defectos son resultado de reparaciones o intervenciones realizadas por personas no autorizadas por el Fabricante.
  - g) El Producto no fue adquirido directamente del Minorista.
8. Si se produce una causa que excluya la responsabilidad del Fabricante bajo garantía, el Cliente Final asumirá los costos de envío del Producto al Fabricante y el transporte del Producto al Cliente Final tras la reparación.

La presente garantía no excluye, limita ni suspende los derechos del Cliente Final que le otorgan las disposiciones legales vigentes, incluidos los derechos contra el Minorista por defectos en el Producto. Esta tarjeta de garantía es proporcionada al Cliente Final por el Minorista y es parte integral del manual de instrucciones de la pantalla de proyección.

## 01 WSTĘP



Niniejszy podręcznik stanowi część składową produktu, a jego przeczytanie i zrozumienie mają podstawowe znaczenie dla zachowania bezpieczeństwa. Zostały w nim opisane zasady i sposoby użytkowania, pozwalające klientowi na właściwe i bezpieczne korzystanie z ekranu. Podręcznik powinien zawsze znajdować się w pobliżu produktu, należy przechowywać go w miejscu gwarantującym nie uszkodzenie oraz łatwo dostępnym dla osób upoważnionych. Każdy użytkownik ekranu jest odpowiedzialny za przechowywanie podręcznika. Użytkownik jest również odpowiedzialny za kontrolę działania ekranu oraz za naprawy lub wymiany części podlegających zużyciu, mogących spowodować uszkodzenia. Rysunki zawarte w podręczniku mają za zadanie opisać w sposób szczegółowy funkcje, charakterystykę lub procedury. Rysunki mogą różnić się w zależności od przedstawionego modelu, nie powoduje to jednak zmiany opisowego znaczenia rysunku.

## 02 OGÓLNE NORMY BEZPIECZEŃSTWA



**UWAGA:** Ważne wskazówki dotyczące bezpieczeństwa. Należy postępować zgodnie z instrukcjami, ponieważ nieprawidłowy sposób instalacji może spowodować poważne obrażenia. Przed rozpoczęciem użytkowania produktu oraz wykonaniem jakichkolwiek czynności konserwacyjnych upewnij się, że informacje zawarte w tym podręczniku zostały przeczytane i dobrze zrozumiane.

- Sprawdzaj przed rozpoczęciem i podczas użytkowania czy ekran nie powoduje powstawania niebezpiecznych sytuacji. Zakaz instalacji ekranów projekcyjnych nad ciągami komunikacyjnymi.

- Nie demontować, nie usuwać i nie uszkadzać żadnego elementu lub części ekranu.

- Nigdy nie należy wykonywać prac konserwujących dotyczących ekranu przy pracującym silniku (ze względów bezpieczeństwa należy wyłączyć zasilanie).

- Należy odłączyć zasilanie podczas czynności czyszczenia, konserwacji lub wymiany części ekranu.

- Zabrania się używania produktu przez dzieci. Absolutnie zabrania się dziecin zbliżania do ekranu podczas jego funkcjonowania.

Każdy ekran posiada gwarancję, której ważność zależy od rzeczywistego stosowania się do instrukcji zawartych w tym podręczniku i postępowania zgodnie z nimi.

**UWAGA:** Błędna instalacja może zagrażać bezpieczeństwu osób, które używają ekran. Producent nie ponosi odpowiedzialności za szkody materialne i uszczerbki na zdrowiu osób spowodowane błędną instalacją, nieodpowiednim użytkowaniem ekranu, złą lub niewystarczającą konserwacją.

Producent nie ponosi odpowiedzialności za problemy spowodowane błędami przy instalacji.

Instalacja ekranu, połączenia elektryczne oraz kontrola w wypadku złego funkcjonowania automatycznego zwijania powinny być wykonywane przez autoryzowanego sprzedawcę lub przez przeszkolony personel, znający niebezpieczeństwa, jakie może spowodować prąd elektryczny. Nie wolno wymieniać przewodu zasilania. Jeśli przewód jest uszkodzony ekran musi być wymieniony. Naruszenie wyłączników krańcowych lub przerwanie plomby umieszczonej powyżej otworów powoduje utratę gwarancji. W wypadku konieczności wyjaśnić prosimy o skontaktowanie się z naszym biurem technicznym.

PO ZAKOŃCZENIU MONTAŻU EKRANU NA LISTWACH NIEZBĘDNE JEST SKONTROLOWANIE DOKŁADNOŚCI USTAWIENIA W POZIOMIE PRZED ROZPOCZĘCIEM UŻYTKOWANIA.



## 03 OSTRZEŻENIA I UWAGI DO UŻYTKOWANIA I INSTALACJI

Ekran dedykowane są do zastosowań w pomieszczeniach o normalnych warunkach temperatury (20 - 25 °C) i wilgotności.

Jest absolutnie zabronione instalowanie ekranów projekcyjnych z przodu przed oknami. Zabrania się również instalowania ekranów w pobliżu źródeł ciepła takich jak grzejniki, piece, kominki oraz w pobliżu systemów klimatyzacyjnych gdzie mogłyby być narażone na działanie zimnego/ciepłego powietrza.

Nie zastosowanie się do powyższych zakazów może spowodować deformację lub trwałe zniekształcenie powierzchni projekcyjnej w ekranie.

W przypadku użytkowania ekranu elektrycznego na zewnątrz należy zachować szczególne środki ostrożności takie jak:

- 1- Ochrona kabla/ kabl zasilania silnika przed promieniowaniem UV za pomocą odpowiednich przewodów lub osłon przeznaczonych do instalacji na zewnątrz.
- 2- Zastosowanie odpowiednich osłon izolacyjnych do dodatkowych kabli oraz skrzynek z okablowaniem zabezpieczających je przed wilgocią.
- 3- Wykorzystanie przełączników ze stopniem ochrony IP55 lub wyższym (przełącznik serjny zawarty w produkcie nie jest odpowiedni do użycia na zewnątrz).
- 4- Chronić ekran przed bezpośrednim kontaktem z wodą lub innymi płynami

Dla uniknięcia zóbknięcia ekranu, nie należy wystawiać go przez dłuższy czas na działanie promieni słonecznych (należy sprawdzać także czy z powodu działania takich promieni, ekran nie osiąga poziomów temperatur wskazanych powyżej). Ekran projekcyjny nie mogą być bezpośrednio narażone na działanie promieni słonecznych oraz nie powinny być montowane w pobliżu źródeł ciepła, może to doprowadzić do uszkodzenia ich powierzchni.

Ponieważ materiał, z którego wykonana jest powierzchnia projekcyjna (PVC) może w łatwy sposób zostać naładowany elektrostatycznie, nadmierne zapylenie otoczenia spowodować może obniżenie właściwości optycznych ekranu, co związane jest z odkładaniem się pyłów przyciąganych elektrostatycznie (patrz także: czyszczenie ekranu projekcyjnego).

Zakłada się, że korzystanie z ekranu rozwijanego elektrycznie przewiduje całkowite otwarcie powierzchni projekcyjnej (w dół), a po jego użyciu z projektorem, całkowite zamknięcie powierzchni projekcyjnej (w górę). Pełne otwarcie i zamyknięcie ekranu (w dół-w górę) jest określane jako "cykl".

Ekran rozwijane elektrycznie są przeznaczone do pracy w formie pojedynczego cyklu, oznacza to, że pomiędzy jednym cyklem a drugim powinna zostać zachowana określona ilość czasu. Dlatego nie zaleca się wielokrotnego otwierania i zamykania ekranu elektrycznego w krótkim przedziale czasu.

Silniki stosowane w ekranach rozwijanych elektrycznie, są wyposażone w systemy zabezpieczenia termicznego, które zapobiegają nadmiernemu przegrzaniu się obudowy silnika i jego trwałemu uszkodzeniu.

Aktywacja zabezpieczenia termicznego odbywa się po określonej liczbie cykli (góra- dół) i liczba ta zależy od rodzaju silnika oraz typu ekranu (zwykle jest to maksymalnie od 3 do 6 cykli). Należy jednak pamiętać, że ciepło emitowane przez silnik jest przekazywane na rurę, a tym samym na nawiniętą na niej powierzchnię projekcyjną. Przegrzanie powierzchni projekcyjnej może spowodować jej trwałe odkształcenie lub rozciągnięcie, a w konsekwencji nierównomierne położenie obciążnika ekranu. W celu uniknięcia powyższych sytuacji zabrania się użytkowania ekranu w sposób, który spowoduje przekroczenie trzech pełnych cykli (góra-dół). Po osiągnięciu 3 wspomnianych cykli pracy, ekran należy pozostawić w pozycji otwartej (rozwinęta powierzchnia projekcyjna) i odczekać 40 minut, umożliwi to ochłodzenie silnika i innych elementów konstrukcyjnych przed ponownym użyciem.

**UWAGA:** Nie wymuszaj ręcznego wysuwania ekranu ponieważ mogłoby to spowodować uszkodzenie silnika lub oderwanie kasety od elementów montażowych. Nie pozwalaj dzieciom bawić się stałymi urządzeniami sterującymi. Pilot przechowywać w miejscu niedostępnym dla dzieci.

Obserwować ekran gdy znajduje się w ruchu dopilnowując, aby nikt nie zbliżył się do ekranu dopóki nie zostanie on całkowicie zamknięty.

Zabrania się blokować, zatrzymywać czy wymuszać ruch ekranu, przytrzymać się lub zawieszając, dołączając lub instalując jakiegokolwiek przedmioty na ekranie lub na tylnej jego części, modyfikować konstrukcję ekranu; zachowania takie mogą spowodować uszkodzenia systemu zwijania, co z kolei mogłoby spowodować niebezpieczeństwo dla osób czy przedmiotów.

Jest absolutnie zabronione instalowanie ekranów projekcyjnych przed oknami.

Jest absolutnie zabronione instalowanie ekranów w pobliżu źródeł ciepła takich jak grzejniki, piece, kominki a także w pobliżu systemów klimatyzacyjnych gdzie mogłyby być narażone na działanie zimnego/ ciepłego powietrza.

Ekran należy idealnie wypoziomować.



## USUWANIE ŻUŻYTEGO PRODUKTU



Podobnie jak w przypadku czynności instalacyjnych, również czynności wykonywane na zakończenie pracy tego produktu przy jego usuwaniu powinny być zrealizowane przez wyspecjalizowany personel. Produkt skonstruowany został z różnych materiałów: niektóre z nich mogą zostać poddane recyklingowi, inne muszą być usunięte. Należy zasięgnąć informacji o sposobach recyklingu oraz usuwania odpadów, przewidzianych przez prawo obowiązujące w danym kraju i dla danej kategorii produktu. Zabronione jest usuwanie produktu do domowych odpadów, co pokazuje symbol zamieszczony obok. Należy więc segregować odpady przy usuwaniu produktu, zgodnie z metodami przewidzianymi przez prawo obowiązujące w danym kraju albo przekazać produkt sprzedawcy w momencie zakupu nowego.

Uwaga: miejscowe regulacje prawne mogą przewidywać poważne sankcje w wypadku usuwania produktu w sposób zakazany prawem.

## 04 OGÓLNA CHARAKTERYSTYKA PRODUKTU

Ekran projekcyjny jest wytwarzany zgodnie z przepisami następujących dyrektyw CE: 2014-35-CE LDV Niskiego napięcia  
 2014-30-EU EMC Zgodności elektromagnetycznej  
 2014-53-CE Aparatury radiowej i terminali telekomunikacyjnych  
 2009-125-CE Dotycząca Ekoprojektu dla produktów wykorzystujących energię  
 2015-863-EC ROHS Ograniczenie stosowania niektórych niebezpiecznych substancji  
 2012-19-CE RAEE W sprawie utylizacji zużytego sprzętu elektrycznego  
 2001-95-CE Ogólne bezpieczeństwo produktów

Ekran opisany w niniejszym podręczniku musi być stosowany wyłącznie jako wsparcie dla projekcji wideo. Wszelkie inne użycie jest niezgodne oraz nie jest objęte treścią niniejszego podręcznika. Ekran posiada jedną lub więcej tkanin projekcyjnych z plastycznego PVC nie zawierających kadmu lub z impregnowanego włókna szklanego impregnowanego plastycznym PVC, każda tkanina może być sklasyfikowana w następujący sposób:

- M1 lub M2 zgodnie z regulacjami francuskimi (LNE Laboratoire national de métrologie et d'essais – French Companies CREPIM – Efectis France);
- B1 lub B2 zgodnie z regulacjami niemieckimi (Exova Warringtonfire Laboratory of Frankfurt am Main);
- UL94HB zgodnie z regulacjami włoski (Italian Interior Ministry).

Ponieważ nie istnieje jeszcze harmonizacja na poziomie europejskim pomiędzy różnymi krajowymi normami klasyfikacji trudności palności, wyjaśniamy, że francuska klasa M1 odpowiada materiałom niepalnym a klasyfikacja M2 materiałom nie łatwopalnym. Materiały projekcyjne używane do produkcji ekranów projekcyjnych są wykonane głównie z laminowanego PVC lub z włókna szklanego pokrytego PVC, materiały te są wrażliwe na temperaturę i wilgotność, w związku z tym tolerancja akceptowalna dotycząca wymiarów powierzchni projekcyjnej to 1% dla każdego rozmiaru.

Tolerancja dotycząca używanych profili aluminiowych to +/- 2 mm.

Tolerancje ogólne dotyczące wymiarów całkowitych ekranów są następujące:

- +/- 3 mm dla wymiarów całkowitych do 2500 mm;
- +/- 5 mm dla wymiarów całkowitych do 4000 mm;
- +/- 10 mm dla wymiarów całkowitych do 8000 mm;
- +/- 20 mm dla wymiarów całkowitych do 16000 mm;
- +/- 30 mm dla wymiarów całkowitych do 24000 mm.

## 05 CZYSZCZENIE I KONSERWACJA

Ekran oraz tkaniny projekcyjne stosowane na ekranach są wykonane z materiałów delikatnych, należy więc zachować szczególną ostrożność przy ich czyszczeniu, wykonując te czynności w następujący sposób: Nigdy nie używać rozpuszczalników, produktów chemicznych, ściernych czy też zaostrzonych przyrządów do czyszczenia powierzchni.

Unikać wszelkiego kontaktu z innymi materiałami (lakiery, tusz itp.), ponieważ usunięcie ich z tkaniny może okazać się niemożliwe.

**TKANINY PROJEKCYJNE:** Do czyszczenia materiału projekcyjnego stosować miękką, czystą, wilgotną ściereczkę, ewentualnie w połączeniu z detergentami na bazie obojętnej lub alkoholu. Ponieważ po oczyszczeniu ekran z powodu tarcia ściereczki może naładować się prądem statycznym, doradza się przetrzeć materiał czystą ściereczką nasączoną płynem antystatycznym, dla uniknięcia ponownego przyciągania pyłów. Okresowo kontrolować system mocujący i połączenia elektryczne

**PROFILE** Do czyszczenia profilu stosować miękką, czystą ściereczkę lub szczotki z miękkim i antystatycznym włosiem

**PROFILE RAMY Z WELURU:** Do czyszczenia profilu stosować miękką, czystą ściereczkę lub szczotki z miękkim i antystatycznym włosiem. Możliwe jest używanie szczotki zamontowanej na odkurzaczu, ale wyłącznie wtedy, gdy jej włosie jest miękkie i dokładnie oczyszczone.

**KONSTRUKCJA I LISTWY MONTAŻOWE:** Niezbędne jest okresowe kontrolowanie stanu produktu oraz wytrzymałości listew montażowych. W przypadku pojawienia się odkształceń, rozdarć lub konstrukcyjnych uszkodzeń listew, wkrętów czy komponentów produktu należy nieodwrotnie zabezpieczyć okoliczną strefę dla uniknięcia wszelkich szkód czy zagrożeń dla osób i przedmiotów. Następnie trzeba podjąć działania mające na celu natychmiastową wymianę uszkodzonej części i naprawę produktu.

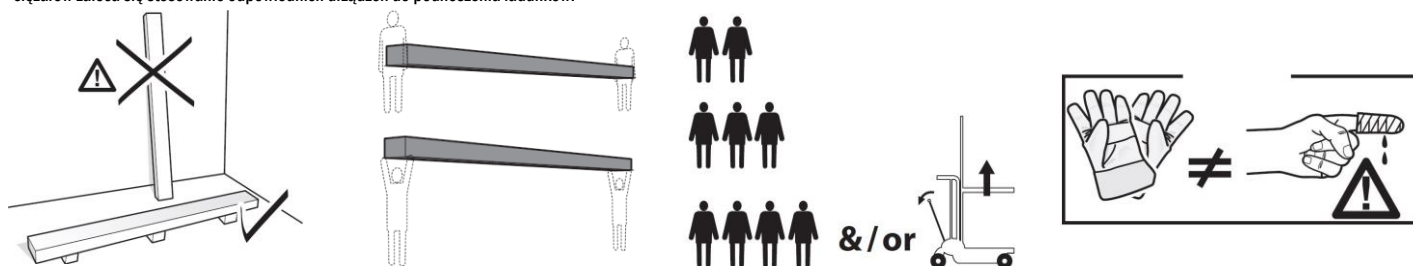
## 06 ROZPAKOWANIE EKRANU I PRZEMIESZCZANIE PRODUKTU

Należy upewnić się, że żaden z elementów ekranu nie został uszkodzony podczas transportu. W razie wystąpienia anomalii należy natychmiast zawiadomić o tym fakcie sprzedawcę. Sprawdzić czy w opakowaniu znajduje się całość wyposażenia opisanego w instrukcji, odpowiednio dla danego typu ekranu.

### Ekran z napędem wysuwu z wbudowanym sterowaniem radiowym

- 1 zestaw z 2 uchwytami do instalacji (dla ekranów do szerokości 2.5 m)
  - 1 zestaw z 3 uchwytami do instalacji (dla ekranów powyżej szerokości 2.5 m)
  - 1 przełącznik jednobiegunowy 10°, 250V obsługiwany ręcznie, ze strzałkami kierunkowymi, zawierający puszkę do montażu na ścianie
  - 1 nadajnik radiowy (dla ekranów z wbudowanym sterowaniem radiowym)
  - 1 klucz sześciokątny plastikowy
  - 1 instrukcja użytkowania
- (opakowanie nie zawiera wkrętów i kołków rozporowych do ścian)

**UWAGA** do otwierania opakowania nie należy używać nożyków czy innych ostrych narzędzi. Stosować zawsze rękawice ochronne podczas otwierania i instalacji czy przenoszenia produktu. Produkt należy przetrześć czy instalować minimum w dwie lub cztery osoby, w zależności od ciężaru ekranu (wartości odnośnie dopuszczalnego ciężaru na osobę to: 25kg mężczyzna - 15kg kobieta). W przypadku większych ciężarów zaleca się stosowanie odpowiednich urządzeń do podnoszenia ładunków.



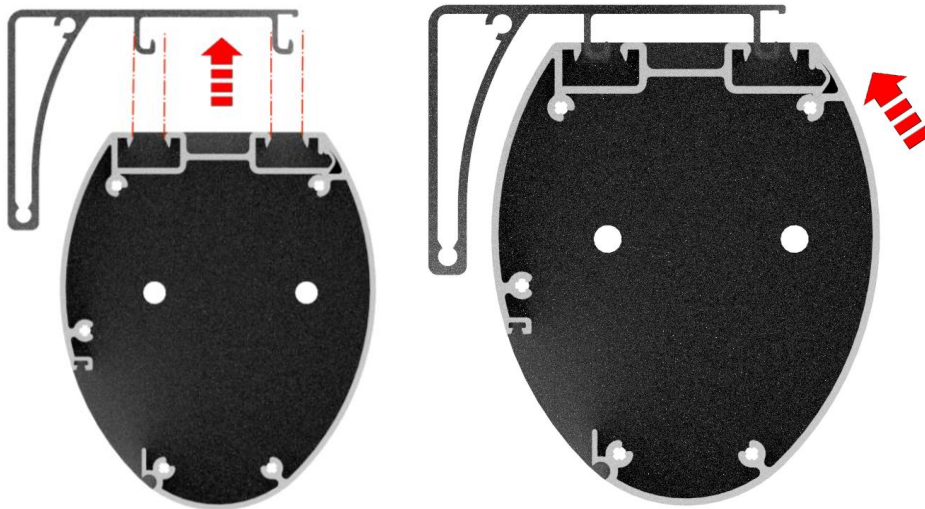
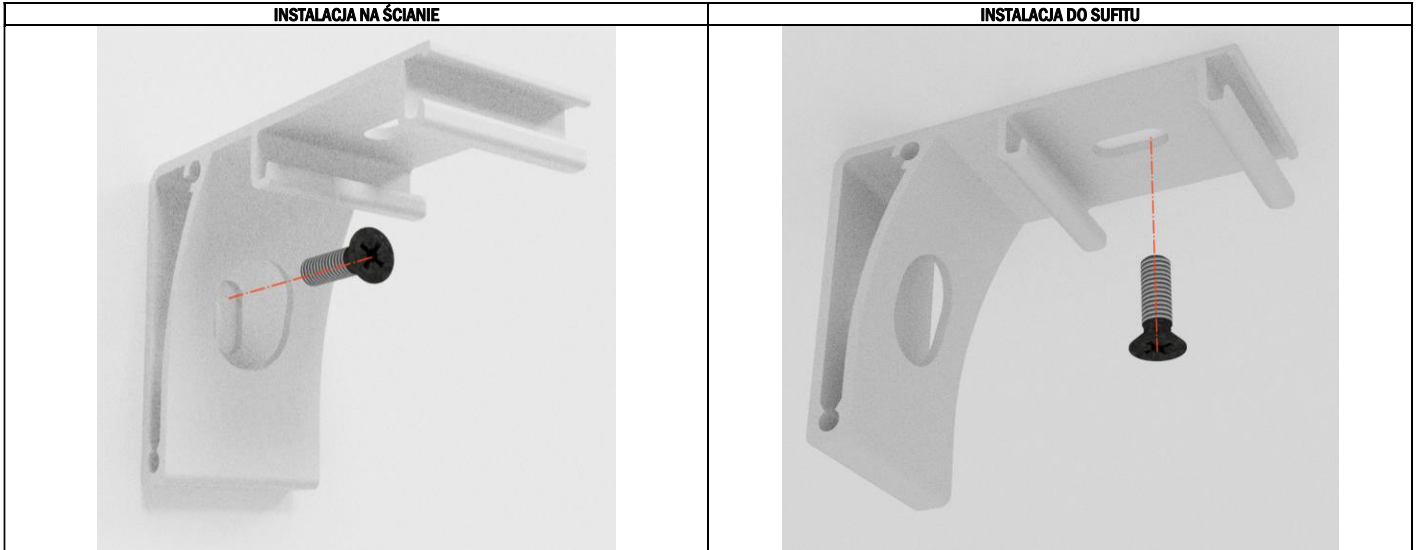
07 INSTRUKCJA INSTALACJI



zabronione, aby zainstalować ekran na ruchomymi ścianami lub kabli niestabilnych, wsporniki należy stosować na powierzchniach, które zapewniają w tym czasie dystans. Do instalacji ekranu należy zastosować wkręty i kołki rozporowe odpowiednie dla ciężaru i rodzaju ściany lub sufitu, na jakich zamierzamy zamontować elementy mocujące. Przed rozpoczęciem montażu wybrać rodzaj kołków lub mocowania zgodnie z następującym schematem:

Ekran o szerokości do cm	210	260	310	360	410
Całkowity ciężar jaki należy przewidzieć	Kg 22	Kg 26	Kg 33	Kg 36	Kg 41

**UWAGA:** Jest to absolutnie **INSTALACJA NA ŚCIANIE I DO SUFITU:**  
Ałożyć ekran jak na zdjęciach poniżej.



## 09 CHARAKTERYSTYKA SILNIKA – DANE TECHNICZNE – POŁĄCZENIE ELEKTRYCZNE

Typ zainstalowanego w produkcie silnika opisany jest na etykiecie posiadającej oznakowanie CE, a znajdującej się na każdym produkcie. W trakcie otwierania opakowania należy skontrolować etykietę i ustalić rodzaj silnika, aby wykonać poprawną instalację i prawidłowe okablowanie. W przypadku, kiedy moc silnika nie odpowiada mocy linii elektrycznej w miejscu instalacji urządzenia, prosimy o skontaktowanie się z elektrykiem i wyposażenie we właściwy transformator prądu i częstotliwości.



### POŁĄCZENIE ELEKTRYCZNE:

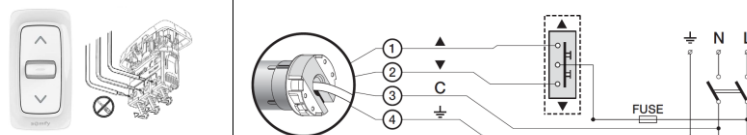
Okablowanie elektryczne musi respektować obowiązujące normy CEI. Norma CEI EN 60335-1 przewiduje w sieci zasilania urządzenie rozłączające wielobiegunowe, o szerokości otwarcia styków co najmniej 3 mm. Do sterowania ekranem używać jedynie przełącznik dostarczony z ekranem, lub inny odpowiednik, zgodnie ze wskazówkami schematu połączeń na Rys. 4 (jeśli silnik zamontowany jest po lewej stronie należy odwrócić kolory przewodów w następujący sposób: w dół = brązowy, w górę = czarny). Przełącznik powinien zostać zamontowany w widocznym miejscu, na wysokości pomiędzy 1.5 a 1.8 m od podłogi. Podłączenie przewodów do przełącznika znajdującego się na wyposażeniu wykonać należy usuwając przednie klawisze, uzyskując w ten sposób dostęp do przycisków zał./wyl.

### UWAGA:

Właściwe wykonanie połączeń elektrycznych, zgodnie ze sztuką i w zachowaniu obowiązujących norm prawnych, jest istotne dla zabezpieczenia przed wypadkami oraz właściwego i niezmiennego działania ekranu.

Przed wykonaniem jakichkolwiek czynności w instalacji elektrycznej, upewnić się, że napięcie zostało odłączone.

Silnik ekranów wyposażonych w kasetę umieszczony jest po prawej stronie ekranu patrząc od jego frontu (na zamówienie możliwe jest umieszczenie silnika po stronie lewej). Nie podłączać nigdy dwóch lub więcej silników do jednego przełącznika bez sterowania połączonego lub dwóch przełączników przy tym samym silniku.

<p><b>NICE 230V 50Hz</b>  <b>Dane techniczne silnika</b>                  Częstotliwość: ~Hz50                  Moc: 120W                  Moment obrotowy: 10Nm                  Prędkość: 17Rpm                  Cykl pracy: S2 4min                  Długość przewodu: 3m                  Wytrzymałość mechaniczna: zgodnie z normą EN14202                  Temperatura pracy: od -20 do +55 °C                  Poziom natężenia dźwięku: LpA ≤ 70 dB (A)                  Klasa ochrony silnika: IP44</p>	<p><b>Połączenia dla każdego silnika:</b></p> <ol style="list-style-type: none"> <li>1 Brązowy (Góra)</li> <li>2 Czarny (Dół)</li> <li>3 Niebieski (Wspólny)</li> <li>4 Żółto-zielony (Uziemienie)</li> </ol> 
--	--



### PODŁĄCZENIE ELEKTRYCZNE:

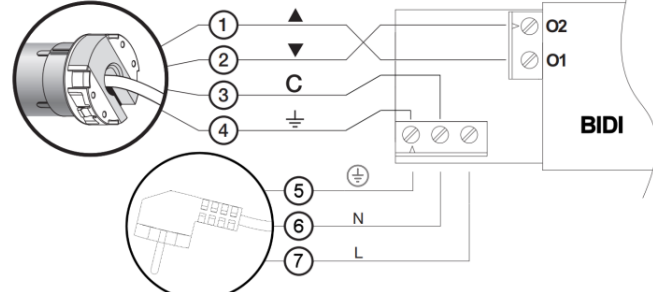
Okablowanie elektryczne musi respektować obowiązujące normy WE. Norma WE EN 60335-1 przewiduje w sieci zasilania istnienie wielobiegunowego urządzenia rozłączającego, o szerokości otwarcia styków co najmniej 3 mm dla każdego silnika (z wyłączeniem wtyczki itp.). W razie potrzeby to urządzenie zapewnia bezpieczne i szybkie odcięcie źródła zasilania. Kable łączyć jak pokazano na rysunku po prawej stronie.

### UWAGA:

Właściwe wykonanie połączeń elektrycznych, zgodnie ze sztuką i w zachowaniu obowiązujących norm prawnych, jest istotne dla zabezpieczenia przed wypadkami oraz właściwego i niezmiennego działania ekranu. Przed wykonaniem jakichkolwiek czynności w instalacji elektrycznej, upewnić się, że napięcie zostało odłączone.

Silniki umieszczone są po prawej stronie ekranu patrząc od jego frontu.

Uruchamianie wykonywane jest za pomocą pilota na fale radiowe dostarczanego w standardzie.

<p><b>NICE 230V 50Hz + Interfejs TT1N</b>  <b>Dane techniczne silnika</b>                  Częstotliwość: ~Hz50                  Moc: 120W                  Moment obrotowy: 10Nm                  Prędkość: 17Rpm                  Cykl pracy: S2 4min                  Długość przewodu: 3m                  Wytrzymałość mechaniczna: zgodnie z normą EN14202                  Temperatura pracy: od -20 do +55 °C                  Poziom natężenia dźwięku: LpA ≤ 70 dB (A)                  Klasa ochrony silnika: IP44</p>	<p><b>Połączenia dla każdego silnika:</b></p> <ol style="list-style-type: none"> <li>5 Żółto-zielony (Uziemienie 230V)</li> <li>6 Brązowy (Linia 230V)</li> <li>7 Niebieski (Neutralny 230V)</li> </ol>	
---	---	--

## 10 REGULACJA OGRANICZNIKÓW KRAŃCOWYCH EKRANÓW (procedura wykonana przez producenta)



### UWAGA PRZECZYTAĆ PRZED WYKONANIEM REGULACJI

Regulacje wskazane na rys. 8 powinny być wykonywane jedynie przez upoważniony i specjalistyczny personel. Postępowanie niezgodne z opisanymi procedurami spowodować może uszkodzenie produktu, nie uznawane w ramach gwarancji. Regulacja ograniczników krańcowych zmienia się w zależności od pozycji silnika (prawa lub lewa sreona) albo w zależności od sposobu rozwijania ekranu (wysuw przednie lub tylne). Regulacja wykonywana jest za pomocą sześciokątnego klucza 4mm (dostarczonego w opakowaniu).

**SRUBY DO REGULACJI OGRANICZNIKÓW KRAŃCOWYCH ZNAJDUJĄ SIĘ W DOLNEJ CZĘŚCI EKRANU (UWAGA: OTWORY TE SĄ ZAKLEJONE PLOMBĄ GWARANCYJNĄ, NIE ZUPEŁNIE USUWAĆ KLEJU, POZOSTAWIĆ WOLNE TYLKO OTWÓR - patrz zdjęcie z boku) A NIE PO PRAWĘ CZY LEWEJ JEGO STRONIE. NIE REGULOWAĆ OGRANICZNIKÓW KRAŃCOWYCH KIEDY PRZYCISK PODNOSZENIA LUB OPUSZCZANIA JEST AKTYWNY.**



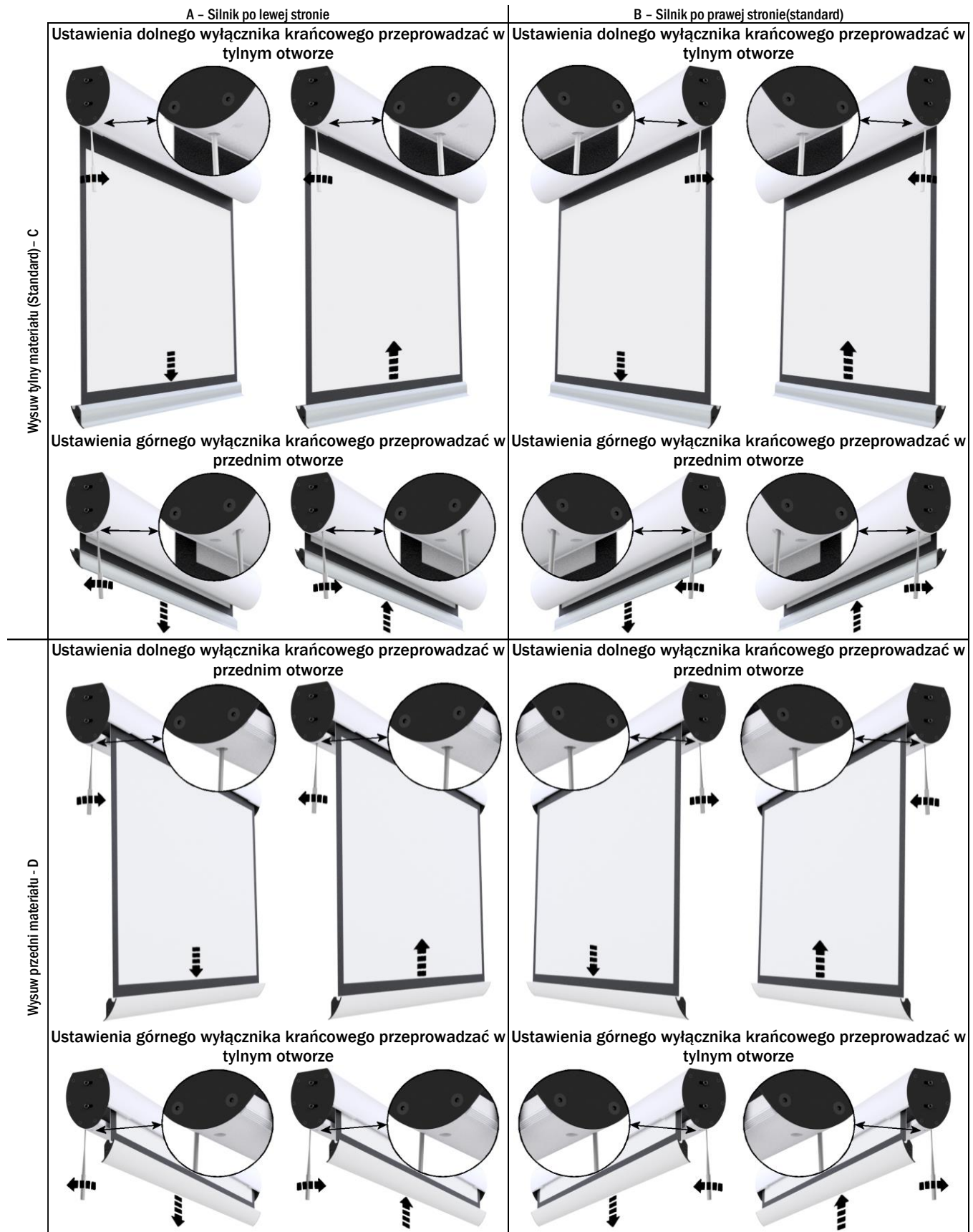
Ogranicznik krańcowy wyregulowany jest w taki sposób, aby materiał projekcyjny pozostawał zawinięty na rolce co najmniej na 1,5 obrotu, dla uniknięcia jego oderwania. Szczególnej uwagi wymaga regulacja ogranicznika wykonywana w celu rozwijania materiału projekcyjnego poza wymiar ustawiony fabrycznie. Rozwijanie można ustawić do 3 cm bez ryzyka uszkodzenia produktu. Niewłaściwa regulacja ograniczników może spowodować:

- Oderwanie materiału projekcyjnego od rolki
- Zwijanie materiału projekcyjnego w odwrotnym kierunku uszkadzające gładkość powierzchni projekcyjnej i mechanizm zwijania.
- Zniszczenie zgrzewu przy czarnej ramce, w dole (ekrany z ramką).
- Przeciążenie silnika z możliwym uszkodzeniem oraz uruchomienie oporu termicznego znajdującego się w silniku.
- Nadmierne zawinięcie systemu tarowania ograniczników krańcowych i w konsekwencji zniszczenie części mechanicznej.

**GWARANCJA**Przypomina się operatorom, że w przypadku naruszenia plomb zabezpieczających i uszkodzeń spowodowanych błędną regulacją, wszelkie naprawy wykonywane będą poza gwarancją.



10 REGULACJA OGRANICZNIKÓW KRAŃCOWYCH EKRAŃÓW NICE



## KARTA GWARANCYJNA - WARUNKI GWARANCJI

Adeo Screen Sp. z o.o. z siedzibą w Złotoryji przy ulicy B. Krzywoustego 31, 59-500 Złotoryja (dalej: „**Producent**”) gwarantuje sprawne działanie ekranu projekcyjnego/urządzenia (dalej: „**Towar**”) w okresie 24 miesięcy od daty wystawienia faktury zakupu / paragonu przez sprzedawcę detalicznego Towaru, tj. podmiotu, który nabył Towar bezpośrednio od Producenta w ramach prowadzonej działalności gospodarczej (dalej: „**Sprzedawca detaliczny**”). Uprawnienia z gwarancji względem Producenta przysługują klientowi końcowemu, tj. osobie, która nabyła Towar od Sprzedawcy detalicznego (dalej: „**Klient końcowy**”).

Towar należy użytkować zgodnie z wydaną instrukcją obsługi, zasadami b.h.p. i p.poż. oraz innymi powszechnie obowiązującymi przepisami prawa. Ujawnione w tym okresie użytkowania wady Towaru będą usuwane przez serwis Producenta znajdujący się na terenie Rzeczypospolitej Polskiej, według poniżej opisanych zasad.

1. Zgłoszenie reklamacyjne należy kierować na adres e-mail Producenta (info@adeoscreen.com) bądź pocztą tradycyjną (ul. Bolesława Krzywoustego 31, 59-500 Złotoryja) niezwłocznie, ale nie później niż w terminie 7 dni od dnia stwierdzenia wady Towaru. Zgłoszenie reklamacyjne powinno zawierać dane Klienta końcowego (imię i nazwisko, adres korespondencyjny, numer telefonu), dane Towaru, którego dotyczy reklamacja, dokładny opis stwierdzonej wady, wraz ze zdjęciami oraz wskazaniem daty wykrycia wady. Do zgłoszenia reklamacyjnego należy dołączyć niniejszą kartę gwarancyjną oraz kserokopię dowodu zakupu reklamowanego Towaru, pod rygorem odmowy uznania reklamacji. W przypadku niekompletnego zgłoszenia reklamacyjnego Producent wezwie do jego uzupełnienia.
2. Gwarancja obejmuje wyłącznie uprawnienia do żądania naprawy produktu.
3. Producent w przeciągu 7 dni roboczych od dnia otrzymania kompletnego zgłoszenia reklamacyjnego poinformuje Klienta końcowego o uznaniu bądź odmowie uznania reklamacji. W przypadku uznania reklamacji Producent wezwie Klienta końcowego do przesłania Towaru, przesyłając autoryzację (dokument SRO) zwrotu Towaru wystawioną przez pracowników Działu Obsługi Klienta Producenta. Klient końcowy zobowiązany jest na własny koszt do deinstalacji Towaru i zwrotu Towaru do siedziby Producenta w oryginalnym lub równoważnym opakowaniu, tak aby nie doszło do uszkodzeń podczas transportu. Koszt transportu Towaru do siedziby Producenta pokrywa Producent, przy zastrzeżeniu, iż transport zorganizowany przez Klienta odpowiada stawkom rynkowym.
4. Po otrzymaniu Towaru zakwalifikowanego do reklamacji, Producent dokona naprawy Towaru w przeciągu 14 dni (roboczych) od dnia otrzymania Towaru. Termin usunięcia wady może zostać wydłużony o czas potrzebny do importu niezbędnych części zamiennych, w każdym razie nie dłuższy niż 30 dni roboczych. W każdym takim przypadku Producent powiadomi Klienta końcowego o wydłużeniu terminu naprawy w związku z koniecznością sprowadzenia części zamiennych i poda nowy termin usunięcia wady.
5. Usunięcie wady lub usterki potwierdza Klient końcowy. Stwierdzenie usunięcia wady, a także odmowa takiego stwierdzenia powinna nastąpić nie później niż w terminie 14 dni od daty zawiadomienia Klienta końcowego przez Producenta o dokonaniu naprawy. Uchylenie się od przeprowadzenia czynności odbiorowych w wyżej określonym terminie odbioru usunięcia wad przez Klienta końcowego będzie równoznaczne ze stwierdzeniem ich należytego usunięcia. Po stwierdzeniu usunięcia wady, Klient końcowy zobowiązany jest do niezwłocznego odbioru Towaru od Producenta. Koszt dostarczenia Towaru do Klienta końcowego pokrywa Producent, przy zastrzeżeniu, iż transport zorganizowany przez Klienta odpowiada stawkom rynkowym. Producent nie jest zobowiązany do instalacji Towaru. Producent nie jest zobowiązany do przeprowadzenia oraz poniesienia kosztów ponownej instalacji Towaru po naprawie.
6. Jeżeli, pomimo zakwalifikowania Towaru do reklamacji, w trakcie wykonywania naprawy gwarancyjnej Producent stwierdzi uszkodzenia wyłączone z zakresu gwarancji, Producent przed podjęciem prac na koszt Klienta końcowego poinformuje go o wysokości szacowanych kosztów naprawy i podejmie dalsze czynności po uzyskaniu zgody Klienta końcowego na obciążenie go tymi kosztami.
7. Odpowiedzialność Producenta z tytułu gwarancji jest wyłączona jeżeli:
  - a) Towar jest używany w sposób niezgodny z przeznaczeniem lub instrukcją obsługi, w szczególności gdy wada jest skutkiem niewłaściwego użycia Towaru,
  - b) wada Towaru powstała w trakcie montażu,
  - c) montaż, instalacja i konserwacja Towaru nie były przeprowadzone przez profesjonalistów lub przez wykwalifikowanych technicznie pracowników bądź zgodnie z zaleceniami zawartymi w instrukcji obsługi,
  - d) wada Produktów powstała podczas transportu, o ile Producent nie ponosi odpowiedzialności za transport, a Klient końcowy nie zaakceptuje dostawy z zastrzeżeniem ze względu na brak integralności przesyłki.
  - e) wady Towaru powstały na skutek zdarzeń losowych, zwłaszcza o charakterze siły wyższej,
  - f) wady Towaru są wynikiem napraw lub ingerencji ze strony osób nieautoryzowanych przez Producenta,
  - g) Towar nie został nabyty bezpośrednio od Sprzedawcy detalicznego.
8. W przypadku zaistnienia przesłanki warunkującej wyłączenie odpowiedzialności Producenta z tytułu gwarancji, koszty dostarczenia Towaru do Producenta oraz koszty transportu Towaru do Klienta końcowego po dokonaniu naprawy ponosi Klient końcowy.

Niniejsza gwarancja nie wyłącza nie ogranicza, ani nie zawiesza uprawnień Klienta końcowego przysługujących mu na mocy przepisów bezwzględnie obowiązujących, a w tym uprawnień względem Sprzedawcy detalicznego wynikających z przepisów rękojmi za wady rzeczy.

Niniejsza karta gwarancyjna jest dostarczana Klientowi końcowemu przez Sprzedawcę detalicznego i stanowi integralną część instrukcji obsługi ekranu projekcyjnego.



**ADEO SCREEN Sp. Z o.o.**

Ul. Boelslawa Krzywoustego 31  
59-500 Zlotoryja,

**Poland - Europe**

Tel. +48 76 850 53 01  
Fax + 48 76 850 53 70

**Email**

To place orders: [info@adeoscreen.com](mailto:info@adeoscreen.com)

To get quotations: [info@adeoscreen.com](mailto:info@adeoscreen.com)

To contact Technical Support: [info@adeoscreen.com](mailto:info@adeoscreen.com)

**Italy**

Tel. +39 0461 248211  
Fax + 39 0461 245038

**Email**

To place orders: [info@adeogroup.it](mailto:info@adeogroup.it)

To get quotations: [info@adeogroup.it](mailto:info@adeogroup.it)

To contact Technical Support: [info@adeogroup.it](mailto:info@adeogroup.it)

